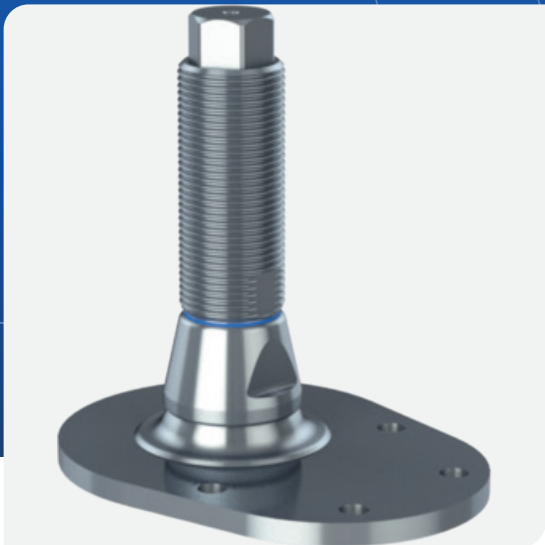


Machine foot HXJCFE- HEX300(I)-HXEH90250



000000 0000000 2000211

Type HXJEHEX + HXJCFEHEX

000000 0000000000000000 0000000000000000
 000000 HXJEHEX + HXJCFEHEX 0 00000000 0000000000
 0 00000000 0000000000000000 000000000
 — 000 00000000000000 000000 000 000000,
 00000000000000, 000000000 0 0000000000000
 0 0000000000000000 00000000 0 0000000 00
 000000000 0000000000000000 00000000000000.

- 000000000 000000000000000000 0 000000000
 000000000000 0 0000000000 0000000.

- 000000 00000 0000000000000000 0 000000000
 0000000000000000 00 000000000 000000
 0000000000

- 00000000000000 00000000000000 0000000
 00000000000 — 000000000 00000000000 00
 00000000000.

- 000000000000000 00000000, 00000000000
 0 000000000000000 0000000 000000000
 00000000000 Hilti.

- 00000000000000000 0000000000 0000000000
 000000000000000 000000000000000000.

- 00000000 0 000000000000000 0 000000000000000
 000000000000000 00000000000000 NZS 4219.

- 00000000000000 00000000000 0000000000000000
 000000000 00000000000 000000000000.

- 00000000000000 00000000 AISI 304/A2, 1.4301. 00
 000000000 — 0000000 AISI 316/A4, 1.4401.

0000000000000000 0000000000000000		
H00. 0000000000	432000 N	
00000000 0000000000	90 mm	3.54"
00000000 000000.	275 mm	10.83"
00000000 000000.	132 mm	5.20"
00000000 0000000	387 mm	15.24"
0000000000 0000000000	90 mm	3.54"
0000000 00000000	55 mm	2.17"
00000000 000000000000 00000000	255 mm	10.04"
0000000 00000000	255 mm	10.04"
000000000000 000000000000	4 Pieces	
00000000000000 00000 000000	39000 N	
000000000000 000000 00000000	Round	
000000000000 000000. 0000000000	300 mm	11.81"
	0000	
00000000 00000000	M90x6.0	
00000000000000 00 00000000	143 mm	5.63"
0000000000 No.	NGI 155654	
0000000000 00000000	Metric C	

??

