

# ACCESSORIES

## BIPOD SUPPORT

The bipod plastic base accepts five different standard tube sizes from Ø38.1 to Ø60.3. The tube leg is fixed with two bolts with spacers to ensure correct tightening. Select two optional M16 levelling feet. NGI recommends levelling foot M050-16-070.



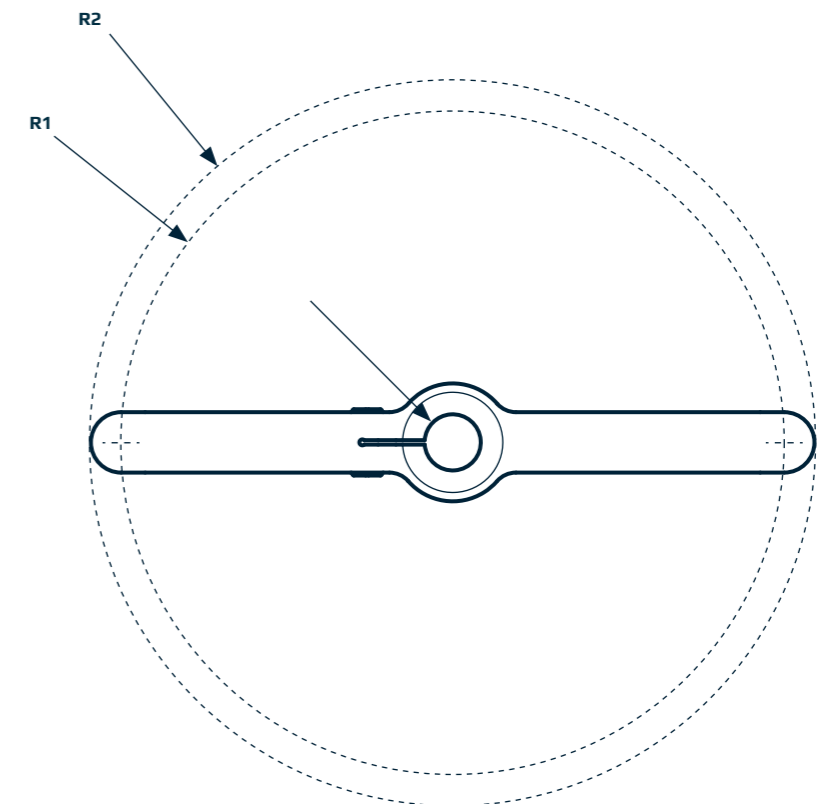
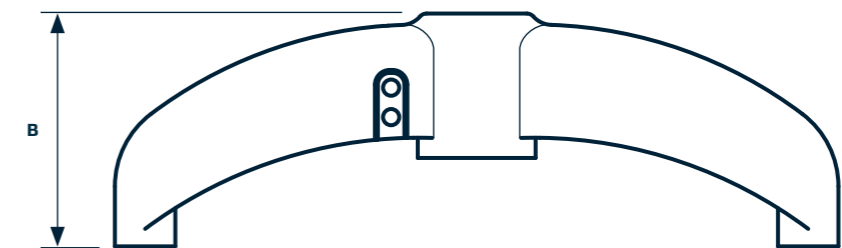
# ACCESSORIES

## BIPOD SUPPORT

BIPOD SUPPORT



THREAD	DIAMETER D [mm]	MAX LOAD Ø1 [N]	DIAMETER D1 [mm]	LENGTH A [mm]	LENGTH B [mm]	DIAMETER M [mm]	R <sub>1</sub> [mm]	R <sub>2</sub> [mm]	ITEM CODE
M16	38,1	9.600	80	80	145	16	224	245	25B381
M16	42,4	9.600	80	80	145	16	224	245	25B424
M16	48,3	9.600	80	80	145	16	224	245	25B483
M16	50,6	9.600	80	80	145	16	224	245	25B506
M16	60,3	9.600	80	80	145	16	224	245	25B603



# ACCESSORIES

# TRIPOD SUPPORT

The tripod plastic base accepts five different standard tube sizes from Ø38.1 to Ø60.3  
 The tube leg is fixed with two bolts with spacers to ensure correct tightening.  
 Select three optional M16 levelling feet.  
 NGI recommends levelling foot M050-16-070.



## ACCESSORIES

## TRIPOD SUPPORT

TRIPOD SUPPORT	THREAD	DIAMETER	MAX LOAD	DIAMETER	LENGTH	LENGTH	DIAMETER	R <sub>1</sub>	R <sub>2</sub>	ITEM CODE
		Ø [mm]	Ø1 [N]	D1 [mm]	A [mm]	B [mm]	[mm]	[mm]	[mm]	
	M16	38,1	10.000	80	80	145	16	224	245	35B381
	M16	42,4	10.000	80	80	145	16	224	245	35B424
	M16	48,3	10.000	80	80	145	16	224	245	35B483
	M16	50,6	10.000	80	80	145	16	224	245	35B506
	M16	60,3	10.000	80	80	145	16	224	245	35B603

