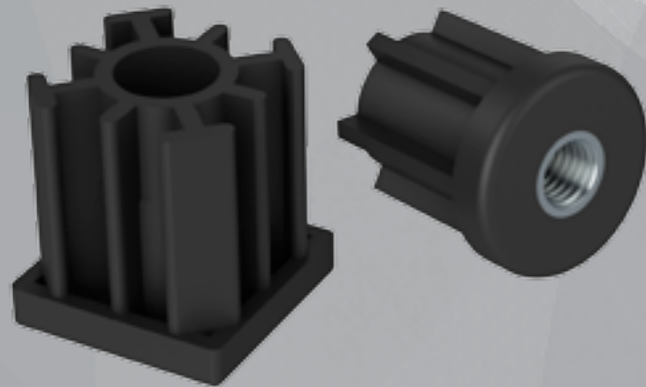
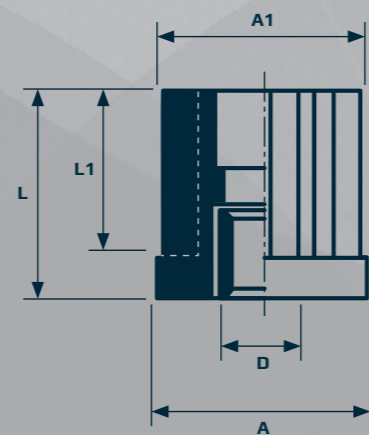
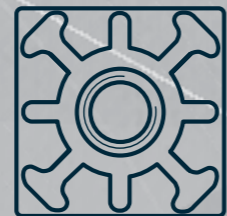
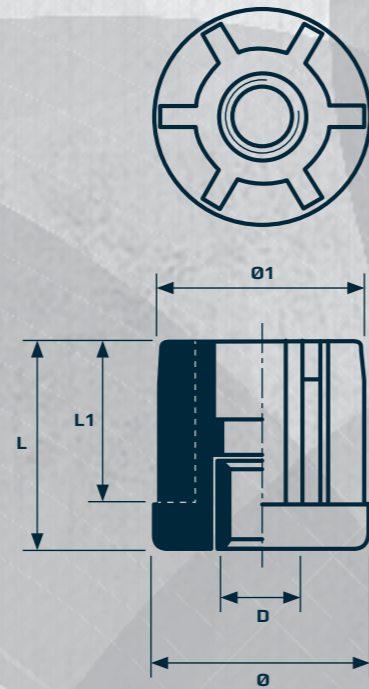


ACCESSORIES

PLASTIC BUSHINGS

- Squared plastic bushings
- Round plastic bushings
- Many dimensions available



ACCESSORIES

PLASTIC BUSHINGS

SQUARE



| THREAD D | EXTERNAL A [mm] | INTERNAL A1 [mm] | HEIGHT L [mm] | HEIGHT L1 [mm] | NOM LOAD COMPRESSION [N] | ITEM CODE |
|-------------|-----------------------|------------------------|---------------------|----------------------|--------------------------------|---------------|
| M10 | 30 | 27 | 33 | 27 | 5.000 | PP30-10 1.5MM |
| M10 | 40 | 37 | 43 | 35 | 5.000 | PP40-10 1.5MM |
| M12 | 30 | 27 | 33 | 27 | 5.000 | PP30-12 1.5MM |
| M12 | 40 | 37 | 43 | 35 | 5.000 | PP40-12 1.5MM |
| M16 | 30 | 27 | 33 | 27 | 5.000 | PP30-16 1.5MM |
| M16 | 40 | 37 | 43 | 35 | 5.000 | PP40-16 1.5MM |
| M16 | 40 | 36 | 43 | 35 | 5.000 | PP40-16 2.0MM |
| M16 | 50 | 46 | 55 | 45 | 5.000 | PP50-16 2.0MM |
| M16 | 50 | 45 | 55 | 45 | 5.000 | PP50-16 2.5MM |
| M20 | 40 | 37 | 43 | 35 | 5.000 | PP40-20 1.5MM |
| M20 | 40 | 36 | 43 | 35 | 5.000 | PP40-20 2.0MM |
| M20 | 50 | 47 | 55 | 45 | 5.000 | PP50-20 1.5MM |
| M20 | 50 | 46 | 55 | 45 | 5.000 | PP50-20 2.0MM |
| M20 | 50 | 45 | 55 | 45 | 5.000 | PP50-20 2.5MM |

ROUND



| THREAD D | EXTERNAL Ø [mm] | INTERNAL Ø1 [mm] | HEIGHT L [mm] | HEIGHT L1 [mm] | NOM LOAD COMPRESSION [N] | ITEM CODE |
|-------------|-----------------------|------------------------|---------------------|----------------------|--------------------------------|--------------------|
| M12 | 38,3 | 35,3 | 52 | 42 | 5.000 | PP Ø38.3-M12 1.5MM |
| M16 | 38,3 | 35,3 | 52 | 42 | 5.000 | PP Ø38.3-M16 1.5MM |
| M16 | 48,3 | 45,3 | 52 | 42 | 5.000 | PP Ø48.3-M16 1.5MM |
| M16 | 60,3 | 57,3 | 62 | 52 | 5.000 | PP Ø60.3-M16 1.5MM |
| M16 | 60,3 | 55,3 | 62 | 52 | 5.000 | PP Ø60.3-M16 2.0MM |
| M20 | 48,3 | 45,3 | 52 | 42 | 5.000 | PP Ø48.3-M20 1.5MM |
| M20 | 60,3 | 57,3 | 62 | 52 | 5.000 | PP Ø60.3-M20 1.5MM |
| M20 | 60,3 | 55,3 | 62 | 52 | 5.000 | PP Ø60.3-M20 2.5MM |