

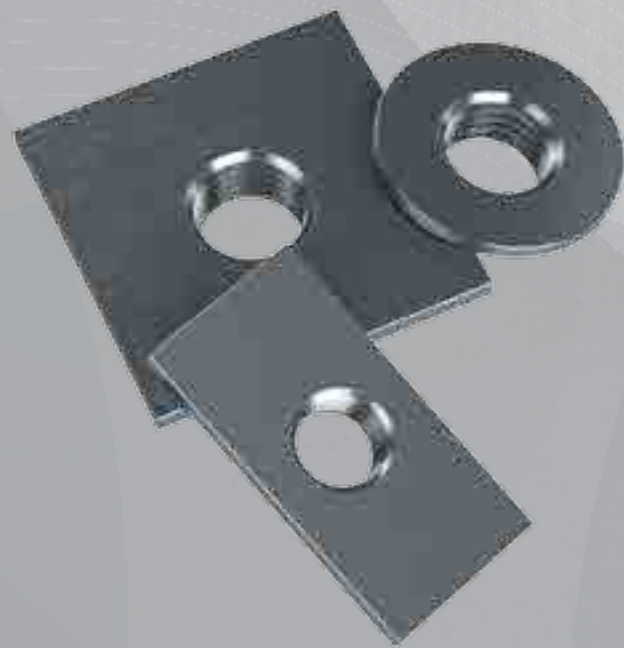
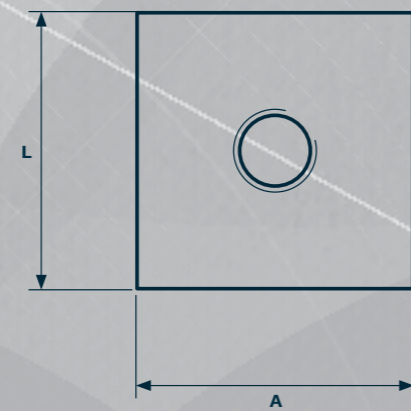
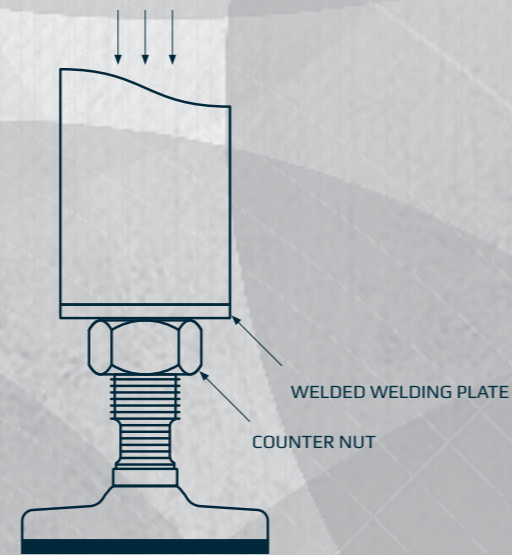
ACCESSORIES

WELDING PLATES

The welding plates provide complete sealing of the tube after welding.
The welding plates are available for rectangular and round tubes.

- Stainless steel AISI 304/A2, 1.4301
- Squared welding plates
- Round welding plates
- All dimensions available

VERTICAL LOAD IN NEWTON (N)



ACCESSORIES

WELDING PLATES

SQUARE



PLATE SIZE L x A [mm]	M8 [N]	M10 [N]	M12 [N]	M16 [N]	M20 [N]	M24 [N]
25 x 25	4.000	4.400	-	-	-	-
30 x 30	3.100	3.550	3.700	-	-	-
35 x 35	2.650	3.150	3.400	5.600	-	-
40 x 40	2.100	2.500	3.100	5.600	10.500	-
45 x 45	-	2.200	2.700	4.700	9.000	-
50 x 50	-	1.800	2.400	6.000	8.500	11.500
60 x 60	-	-	-	4.500	7.600	10.500
70 x 70	-	-	-	4.000	7.200	9.000
80 x 80	-	-	-	3.600	6.400	9.000
100 x 100	-	-	-	3.000	4.200	7.200
THICKNESS B [mm]	← 3 →			← 4 →		

RECTANGLE



PLATE SIZE L x A [mm]	M8 [N]	M10 [N]	M12 [N]	M16 [N]	M20 [N]	M24 [N]
50 x 25	2.300	2.800	3.600	-	-	-
50 x 30	2.100	2.500	3.300	-	-	-
60 x 30	-	-	2.800	6.400	8.700	-
60 x 40	-	-	2.200	5.600	7.500	12.000
80 x 40	-	-	-	4.600	7.000	11.800
80 x 50	-	-	-	3.900	5.800	10.500
80 x 60	-	-	-	3.500	5.600	7.200
100 x 50	-	-	-	3.800	6.800	7.900
THICKNESS B [mm]	← 3 →			← 4 →		

ROUND



PLATE SIZE D [mm]	M8 [N]	M10 [N]	M12 [N]	M16 [N]	M20 [N]	M24 [N]
33	2.700	3.600	4.650	-	-	-
38	2.600	3.200	3.800	6.500	-	-
40	2.500	3.100	3.600	5.500	-	-
43	-	3.000	3.400	4.800	8.500	-
50	-	2.300	2.900	6.800	10.500	14.000
60	-	-	-	5.800	7.000	10.000
THICKNESS B [mm]	← 3 →			← 4 →		



Values are based on 3D-Cad-Cosmos calculation, combined with practical test samples.
Applied safety factor: 1,5