

NGI is able to deliver all necessary accessories which ensures a quick and easy installation of hygienic components.

In addition to supplying standardized accessories we are also able to supply customized accessories.



Hygienic Accessories

NGI A/S
Virkelyst 5
DK-9400 Nørresundby
T: +45 98 17 45 00
E: ngi@ngi-global.com

NGI Italy
Via Guglielmo Jervis 4
IT-10015 IVREA TO
T: +39 077 568 7010
E: ngi@ngi-global.com

NGI Inc. USA
805 Satellite Blvd
Suwanee, GA 30024, USA
T: +1 (646) 201 9410
E: sales@ngi-global.com

NGI GmbH
Ottostraße 15b
DE-41836 Hückelhoven-Baal
T: +49 (0) 2433 96 422 90
E: drivetech@ngi-global.com

ngi-global.com

Hygienic line

-  Certified hygienic
-  Minimized cleaning time
-  Minimized water usage

Nuts



Bolts



Handles



Indexing plunger



Cable glands & latches



Round knobs



Hygienic line

-  Certified hygienic
-  Minimized cleaning time
-  Minimized water usage

3 Star knobs



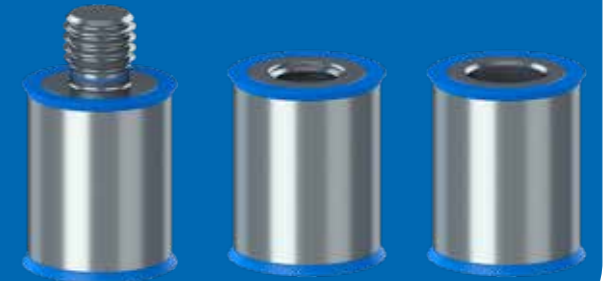
5 Star knobs



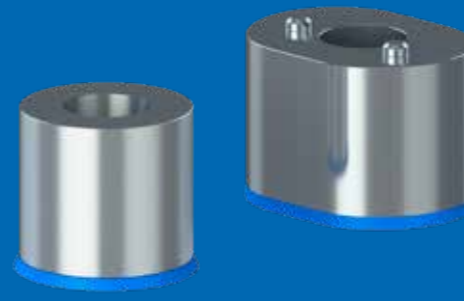
Welding flanges



Spacers - general



Spacers - bearings



Top cover & adaptor



Hygienic Line

Accessories



Plug&Play installation



Reduce energy consumption



Enhanced food safety



Reduce operating and maintenance costs



A complete hygienic design minimizing risks of cross-contamination



Minimize water usage and use of cleaning detergents



Hygienic Line - accessories

NGI is able to deliver all necessary accessories, which ensures a quick and easy installation of the levelling foot, bearing house and castor. Our bolts and nuts are certified in accordance with 3-A (RPSCQC) and EHEDG hygienic standard TYPE EL - CLASS I AUX. The certifications are your guarantee for a optimum hygienic solution as they minimize the cleaning time and water consumption of your equipment due to round-headed and self-draining surfaces with a maximal roughness of 0,8 µm Ra.

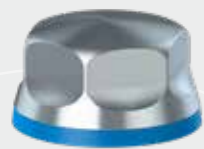
By increasing your focus on the use of hygienic components you are able to minimize the risk of contaminating your production equipment and potentially the end-product. In addition to supplying standardized accessories we are also able to supply customized accessories.



Certified hygienic dome-headed nut - NDXH

- Certified in accordance with 3-A (RPSCQC)
- Certified in accordance with EHEDG hygienic standard TYPE EL - CLASS I AUX
- Minimizes cleaning time and water consumption
- Surfaces with a maximal roughness of 0,8 µm RA
- Available in sizes M4-M24
- Are delivered with all certified hygienic machine feet with floor fixing

12



Certified hygienic low-headed nut - NLXH

- Certified in accordance with 3-A (RPSCQC)
- Certified in accordance with EHEDG hygienic standard TYPE EL - CLASS I AUX
- Minimizes cleaning time and water consumption
- Surfaces with a maximal roughness of 0,8 µm RA
- Available in sizes M4-M24

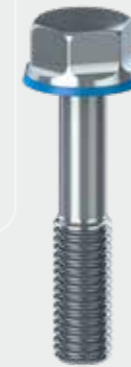
14



Certified hygienic bolt - BXH

- Certified in accordance with 3-A (RPSCQC)
- Certified in accordance with EHEDG hygienic standard TYPE EL - CLASS I AUX
- Minimizes cleaning time and water consumption
- Surfaces with a maximal roughness of 0,8 µm RA
- Available in sizes M4-M24

16



Certified hygienic bolt with reduced shank - BRXH

- Minimizes cleaning time and water consumption
- Prevent the bolt from getting loose.
- Easy to mount
- Surfaces with a maximal roughness of 0,8 µm Ra
- Available in sizes M5-M24

18



Certified hygienic Carriage Bolt - CBXH

- Minimizes cleaning time and water consumption
- DIN 603/ISO 8678 compatible
- Available in sizes M5-M20
- Surfaces with a maximal roughness of 0,8 µm Ra

22



Certified hygienic Fit Bolt - BFXH

- Minimizes cleaning time and water consumption
- DIN 603/ISO 8678 compatible
- Available in sizes M5-M24
- Surfaces with a maximal roughness of 0,8 µm Ra

26



Hygienic handle - UHX

- Minimizes cleaning time and water consumption
- Surfaces with a maximal roughness of 0,8 µm Ra
- Available in sizes M5-M6

28

Hygienic Line - accessories

NGI is able to deliver all necessary accessories, which ensures a quick and easy installation of the levelling foot, bearing house and castor. Our bolts and nuts are certified in accordance with 3-A (RPSCQC) and EHEDG hygienic standard TYPE EL - CLASS I AUX. The certifications are your guarantee for a optimum hygienic solution as they minimize the cleaning time and water consumption of your equipment due to round-headed and self-draining surfaces with a maximal roughness of 0,8 µm Ra.

By increasing your focus on the use of hygienic components you are able to minimize the risk of contaminating your production equipment and potentially the end-product. In addition to supplying standardized accessories we are also able to supply customized accessories.



Hygienic indexing plungers - IPXH

- Minimizes cleaning time and water consumption
- Surfaces with a maximal roughness of 0,8 µm Ra
- Available in the index size 6 and 8

30



Hygienic cable glands - HSK

- Minimizes cleaning time and water consumption
- Available in sizes M12-M32
- Surfaces with a maximal roughness of 0,8 µm Ra
- Our cable glands are IP66, IP68, and IP69K-certified.

32



Hygienic latch - SLX

- Reduced cleaning time.
- Enhanced food safety
- Plug & Play installation
- Stainless steel and with blue NBR sealings.

34



Hygienic round knobs - XK

- Minimizes cleaning time and water consumption
- Available in sizes M5-M12
- Surfaces with a maximal roughness of 0,8 µm Ra

36



Hygienic star knobs - XK3W

- Minimizes cleaning time and water consumption
- Available in sizes M5-M12
- Surfaces with a maximal roughness of 0,8 µm Ra

38



Hygienic knobs - XKG

- Minimizes cleaning time and water consumption
- Available in sizes M5-M12
- Surfaces with a maximal roughness of 0,8 µm Ra

40



Hygienic welding flange - WFRX, WFSX

- Stainless steel AISI 304/A2, 1.4301
- Squared welding plates
- Round welding plates
- All dimensions available

42

Hygienic Line - accessories

NGI is able to deliver all necessary accessories, which ensures a quick and easy installation of the levelling foot, bearing house and castor. Our bolts and nuts are certified in accordance with 3-A (RPSCQC) and EHEDG hygienic standard TYPE EL - CLASS I AUX. The certifications are your guarantee for an optimum hygienic solution as they minimize the cleaning time and water consumption of your equipment due to round-headed and self-draining surfaces with a maximal roughness of 0.8 µm Ra.

By increasing your focus on the use of hygienic components you are able to minimize the risk of contaminating your production equipment and potentially the end-product. In addition to supplying standardized accessories we are also able to supply customized accessories.



Hygienic spacers - SRXH, SRTXH, SRTFXH

- Secure the approved distance to the support surface
- Blocks out water and bacteria and prevents a non-hygienic metal-to-metal assembly

44



Hygienic adaptor - AX

- Adaptor converts the size and type of the thread and extends the sleeve. It has blue sealings detectable by scanning systems.

56



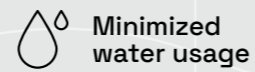
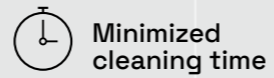
Certified hygienic top cover - THOX

- Top cover with blue sealing detectable by scanning systems
- Ensures hygienic covering of the exposed top thread

58



Certified hygienic nuts - NDXH

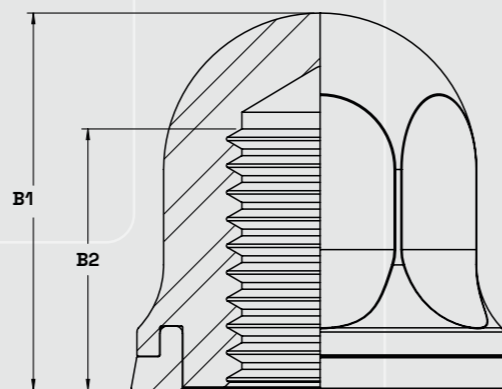
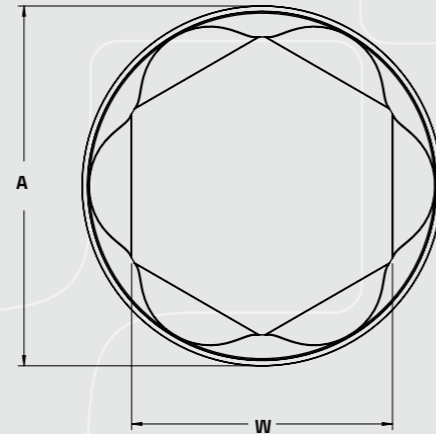


Certified hygienic NDXH nuts with blue sealing are the right choice of nuts to be used on all machinery in all certified hygienic wash-down environments. The sealing blocks out water and bacteria and prevents a non-hygienic metal-to-metal assembly. Round-headed and self-draining surfaces with a maximal roughness of 0.8 µm Ra.

The design of the nuts does not deviate from the sizes of current standard nuts. Therefore, wrench sizes, thread heights etc. all remains the same making it very easy to upgrade and replace standard nuts. NGI's certified hygienic nuts are used for floor-mounting of certified hygienic levelling feet to ensure compliance with current legislation towards hygienic design.

The NDXH is used when the length of exposed bolt thread can vary.

- Certified in accordance with 3-A (RPSCQC)
- Certified in accordance with EHEDG hygienic standard TYPE EL - CLASS I AUX
- Minimizes cleaning time and water consumption
- Surfaces with a maximal roughness of 0,8 µm Ra
- Available in sizes M4-M24



Certified hygienic nuts - NDXH



CERTIFIED HYGIENIC NUTS METRIC

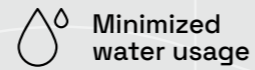
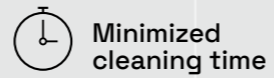


THREAD	Tightening Torque max. [Nm]	TOTAL HEIGHT B1 [mm]	THREAD LENGTH B2 [mm]	W [mm]	OUTER DIAMETER A [mm]	ITEM CODE
M05	4,4	11,60	8	8	11,46	NDXH-M05
M06	8,6	13,6	10	10	12,8	NDXH-M06
M08	21,0	16,6	12	13	17,3	NDXH-M08
M10	38,0	19,9	15	16	21,1	NDXH-M10
M12	68,0	24,5	18	18	25,8	NDXH-M12
M16	122,0	31	23	24	31,9	NDXH-M16
M20	307,0	37	27	30	38,9	NDXH-M20
M24	507,0	46	34	36	46,1	NDXH-M24

CERTIFIED HYGIENIC NUTS UNC

THREAD	Tightening Torque max. [Nm]	TOTAL HEIGHT B1 [in]	THREAD LENGTH B2 [in]	W [in]	OUTER DIAMETER A [in]	ITEM CODE
1/4	8.2	0,59	0,47	7/16	0,58	NDXH 1/4
5/16	17.0	0,67	0,55	1/2	0,68	NDXH 5/16
3/8	30.0	0,75	0,59	9/16	0,78	NDXH 3/8
7/16	47.0	0,85	0,69	11/16	0,93	NDXH 7/16
1/2	71.0	0,98	0,79	3/4	1,06	NDXH 1/2
9/16	102.0	1,10	0,87	13/16	1,18	NDXH 9/16
5/8	139.0	1,24	1,02	15/16	1,33	NDXH 5/8
3/4	245.0	1,46	1,18	1 1/8	1,57	NDXH 3/4
7/8	389.0	1,67	1,34	1 5/16	1,82	NDXH 7/8
1	572.0	1,89	1,54	1 1/2	2,08	NDXH 1

Certified hygienic nuts - NLXH

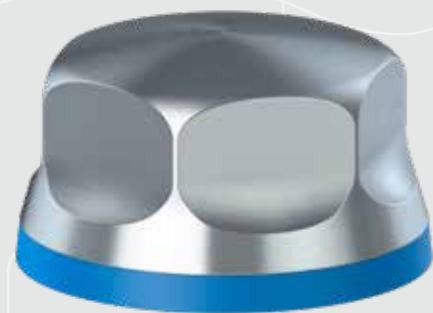
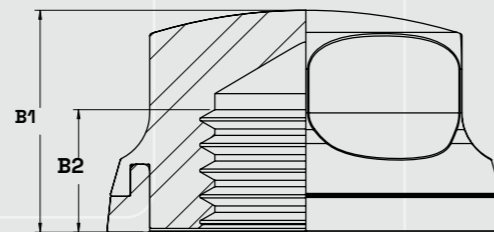
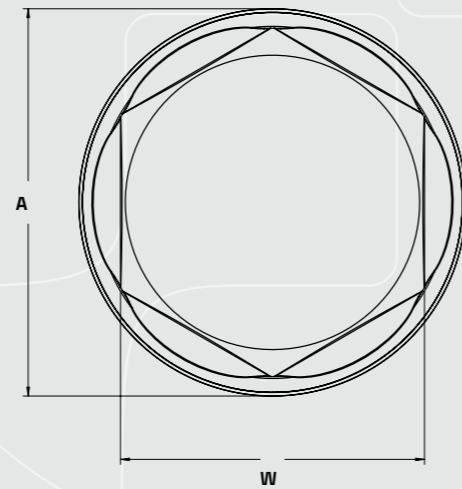


Certified hygienic NLXH nuts with blue sealing are the right choice of nuts to be used on all machinery in all certified hygienic wash-down environments. The sealing blocks out water and bacteria and prevents a non-hygienic metal-to-metal assembly. Round-headed and self-draining surfaces with a maximal roughness of 0.8 µm Ra.

The design of the nuts does not deviate from the sizes of current standard nuts. Therefore, wrench sizes, thread heights etc. all remains the same making it very easy to upgrade and replace standard nuts. NGI's certified hygienic nuts are used for floor-mounting of certified hygienic levelling feet to ensure compliance with current legislation towards hygienic design.

The NLXH is used when the length of exposed bolt thread is adapted to the nut's B2 measurement.

- Certified in accordance with 3-A (RPSCQC)
- Certified in accordance with EHEDG hygienic standard TYPE EL - CLASS I AUX
- Minimizes cleaning time and water consumption
- Surfaces with a maximal roughness of 0,8 µm Ra
- Available in sizes M4-M24



Certified hygienic nuts - NLXH



CERTIFIED HYGIENIC NUTS METRIC



THREAD	Tightening Torque max. [Nm]	TOTAL HEIGHT B1 [mm]	THREAD LENGTH B2 [mm]	W [mm]	OUTER DIAMETER A [mm]	ITEM CODE
M05	4,4	6,5	4,5	8	11,5	NLXH-M05
M06	8,6	8	5,5	10	12,8	NLXH-M06
M08	21,0	10	6,5	13	17,3	NLXH-M08
M10	38,0	12	8	16	21,1	NLXH-M10
M12	68,0	14	9	18	25,8	NLXH-M12
M16	122,0	17	10,5	24	31,9	NLXH-M16
M20	307,0	20	13	30	38,9	NLXH-M20
M24	507,0	22	14	36	46,1	NLXH-M24

CERTIFIED HYGIENIC NUTS UNC

THREAD	Tightening Torque max. [Nm]	TOTAL HEIGHT B1 [in]	THREAD LENGTH B2 [in]	W [in]	OUTER DIAMETER A [in]	ITEM CODE
1/4	8.2	0,33	0,24	7/16	0,58	NLXH 1/4
5/16	17.0	0,39	0,28	1/2	0,68	NLXH 5/16
3/8	30.0	0,47	0,31	9/16	0,78	NLXH 3/8
7/16	47.0	0,51	0,33	11/16	0,93	NLXH 7/16
1/2	71.0	0,55	0,35	3/4	1,06	NLXH 1/2
9/16	102.0	0,61	0,39	13/16	1,18	NLXH 9/16
5/8	139.0	0,67	0,43	15/16	1,33	NLXH 5/8
3/4	245.0	0,75	0,47	1 1/8	1,57	NLXH 3/4
7/8	389.0	0,83	0,51	1 5/16	1,82	NLXH 7/8
1	572.0	0,91	0,55	1 1/2	2,08	NLXH 1

Certified hygienic bolts - BXH

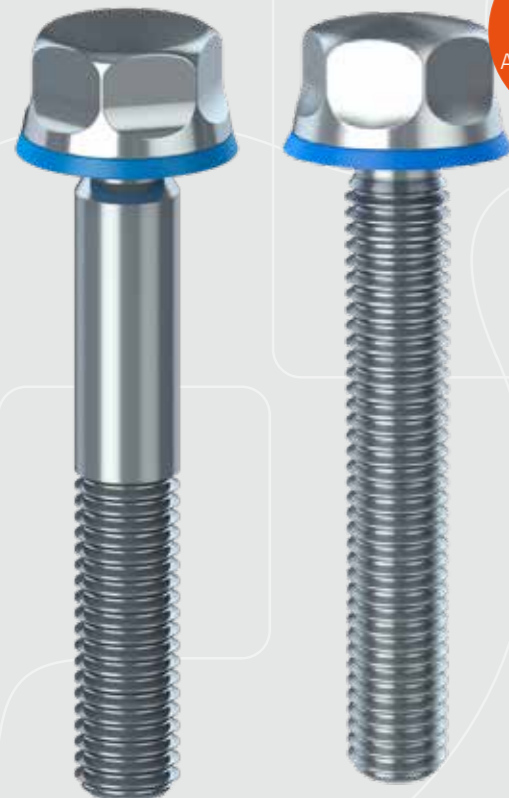
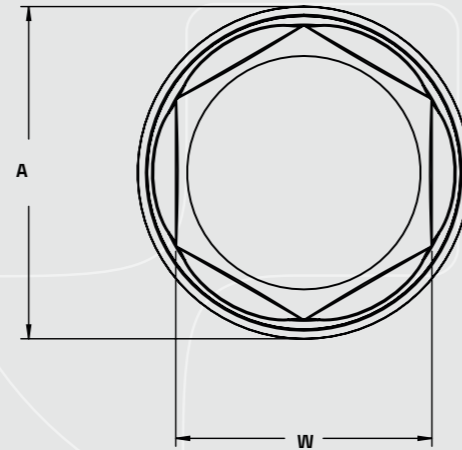
-  Certified hygienic
-  Minimized cleaning time
-  Minimized water usage

NGI can offer certified hygienic BXH bolts with blue sealings. The sealing blocks out water and bacteria and prevents a non-hygienic metal-to-metal assembly.

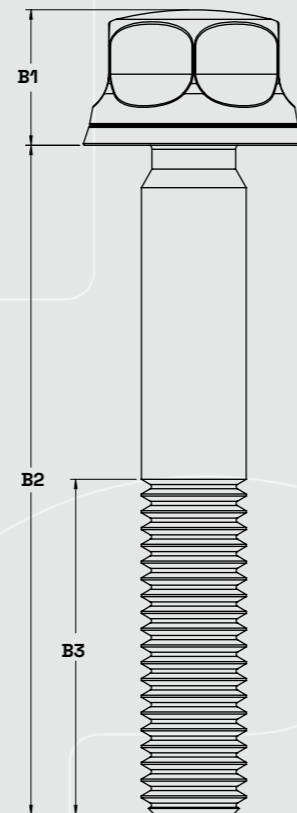
The bolts have self-draining surfaces with a maximal roughness of 0.8 µm Ra. The design of the bolts does not deviate from the sizes of current standard bolts. Therefore, wrench sizes, thread heights etc. all remains the same making it very easy to upgrade and replace standard bolts.

This is the right choice of bolts to be used on all machinery in all certified hygienic wash-down environments.

- Certified in accordance with 3-A (RPSCQC)
- Certified in accordance with EHEDG hygienic standard TYPE EL - CLASS I AUX
- Minimizes cleaning time and water consumption
- Surfaces with a maximal roughness of 0,8 µm Ra
- Available in sizes M4-M24



Bolt lengths can be customized. Available fully-threaded



Certified hygienic bolts - BXH



CERTIFIED HYGIENIC BOLTS METRIC



THREAD	Tightening Torque max. [Nm]	HEAD HEIGHT B1 [mm]	BOLT LENGTH B3 [mm]	THREAD LENGTH B2 [mm]	W [mm]	OUTER DIAMETER A [mm]
M5	4,4	6,5	XX	XX	8	11,5
M6	8,6	8	XX	XX	10	12,8
M8	21	10	XX	XX	13	17,3
M10	38	12	XX	XX	16	21,1
M12	68	14	XX	XX	18	25,9
M16	122	17	XX	XX	24	31,9
M20	307	20	XX	XX	30	38,9
M24	507	22	XX	XX	36	46,1

CERTIFIED HYGIENIC BOLTS UNC

THREAD	Tightening Torque max. [Nm]	HEAD HEIGHT B1 [in]	BOLT LENGTH B2 [in]	THREAD LENGTH B3 [in]	W [in]	OUTER DIAMETER A [in]
1/4	8,2	0,33	XX	XX	7/16	0,58
5/16	17	0,39	XX	XX	1/2	0,68
3/8	30	0,47	XX	XX	9/16	0,78
7/16	47	0,51	XX	XX	11/16	0,93
1/2	71	0,55	XX	XX	3/4	1,06
9/16	102	0,61	XX	XX	13/16	1,18
5/8	139	0,67	XX	XX	15/16	1,33
3/4	245	0,75	XX	XX	1 1/8	1,57
7/8	389	0,83	XX	XX	15/16	1,82
1	572	0,91	XX	XX	1 1/2	2,08



xx) We have many lengths and variations in stock and are able to supply customized sizes within a short time of delivery, so contact our sales department to get a quote!

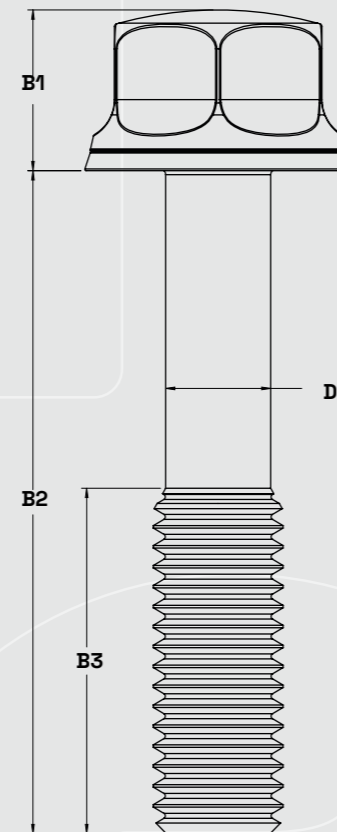
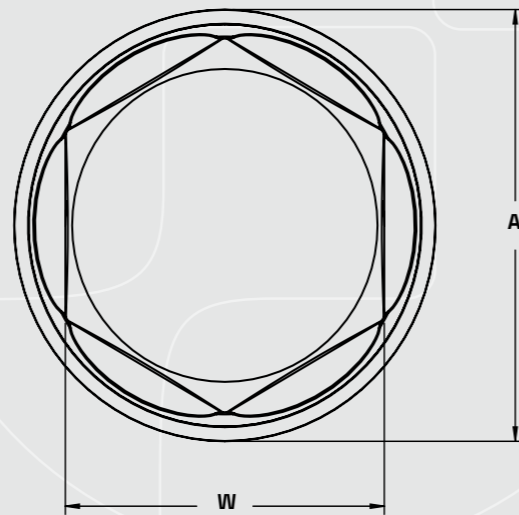
Certified hygienic bolts with reduced shank - BRXH

-  Certified hygienic
-  Minimized cleaning time
-  Minimized water usage

NGI is now able to offer certified hygienic bolts with blue NBR rubber seals. These bolts are designed with reduced shank, which prevents it against getting loose.

The NBR rubber seal blocks out water and bacteria and also prevents a non-hygienic metal-to-metal assembly.

- Minimizes cleaning time and water consumption
- Prevent the bolt from getting loose.
- Easy to mount
- Surfaces with a maximal roughness of 0,8 µm Ra
- Available in sizes M5-M24



Certified hygienic bolts with reduced shank - BRXH



HYGIENIC BOLT WITH REDUCED SHANK - BRXH - METRIC



Thread size	Tightening Torque max. [Nm]	Head height B1 [mm]	Bolt length (B2) [mm]	Thread length B3 [mm]	W [mm]	Outer diameter (A) [mm]	Bolt shank diameter (D) [mm]
M5	4,4	6,5	XX	XX	8	11,5	3,9
M6	8,6	8	XX	XX	10	12,8	4,7
M8	21	10	XX	XX	13	17,3	6,4
M10	38	12	XX	XX	16	21,1	8,1
M12	68	14	XX	XX	18	25,9	9,8
M16	122	17	XX	XX	24	31,9	13,5
M20	307	20	XX	XX	30	38,9	16,8
M24	507	22	XX	XX	36	46,1	22,2

HYGIENIC BOLT WITH REDUCED SHANK - BRXH - UNC

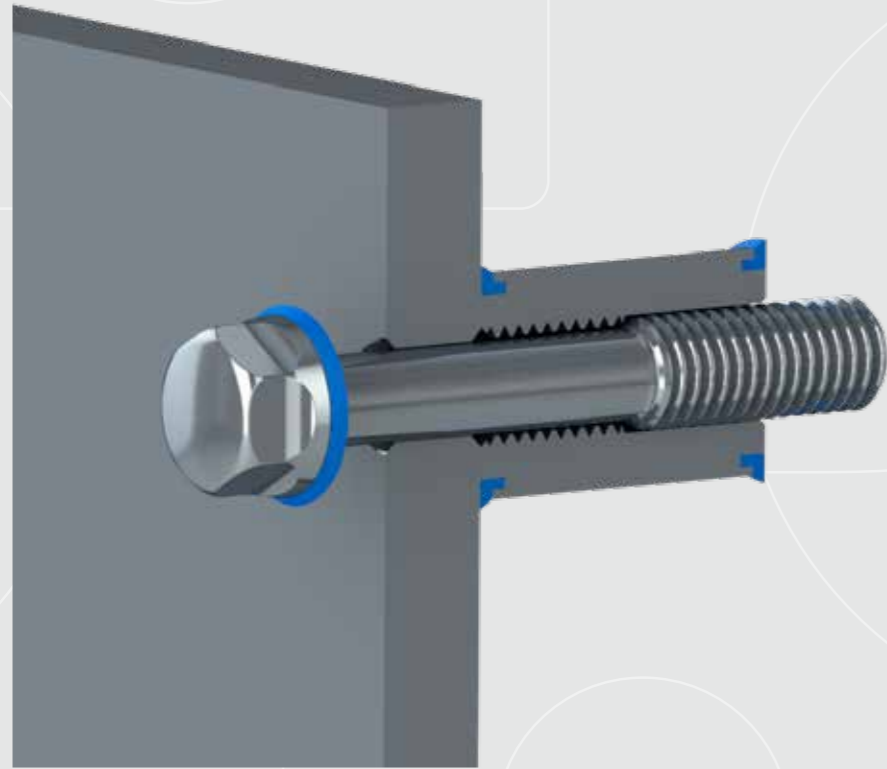
Thread size	Tightening Torque max. [Nm]	Head height B1 [in]	Bolt length (B2) [in]	Thread length B3 [in]	W [in]	Outer diameter (A) [in]	Bolt shank diameter (D) [in]
1/4	8,2	0,33	XX	XX	7/16	0,58	0,19
5/16	17	0,39	XX	XX	1/2	0,68	0,24
3/8	30	0,47	XX	XX	9/16	0,78	0,30
7/16	47	0,51	XX	XX	11/16	0,93	0,35
1/2	71	0,55	XX	XX	3/4	1,06	0,40
9/16	102	0,61	XX	XX	13/16	1,18	0,46
5/8	139	0,67	XX	XX	15/16	1,33	0,51
3/4	245	0,75	XX	XX	1 1/8	1,57	0,62
7/8	389	0,83	XX	XX	1 5/16	1,82	0,74
1	572	0,91	XX	XX	1 1/2	2,08	0,85



xx) We have many lengths and variations in stock and are able to supply customized sizes within a short time of delivery, so contact our sales department to get a quote!

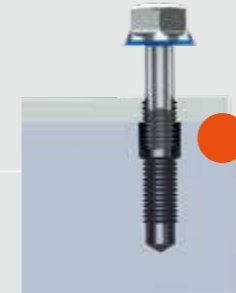
Certified hygienic bolts with reduced shank - BRXH

-  Certified hygienic
-  Minimized cleaning time
-  Minimized water usage



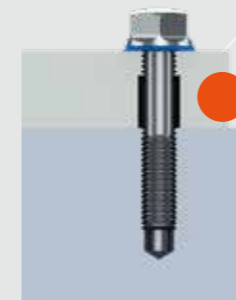
- ✓ Each of the two elements to be assembled is provided with the threaded bore.
- ✓ Both sides or one of them should be provided with a clearance bore, that depends on the design and required clamping length.
- ✓ The clearance bore is important as it facilitates the assembly process and thus reduces the mounting time.
- ✓ The bolt is provided with a shank (reduced shank), that helps to install and disassemble it easily.

Certified hygienic bolts with reduced shank - BRXH



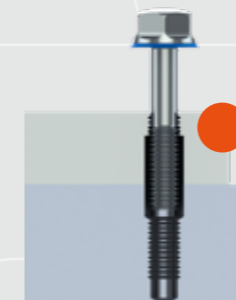
Case 1: Thin plate on a machine frame

It can be used to assemble the thin plate with a machine frame. The thin plate provides a threaded bore necessary to disassemble without losing the bolt.



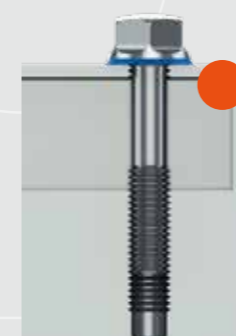
Case 2: Thick plate on a machine frame

An example of this case is the assembly of a thick plexiglass plate with a frame. It is necessary to provide both the thick plate and the frame or one of them, with a clearance bore.



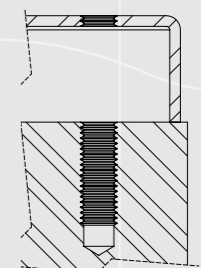
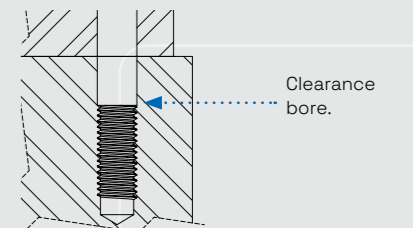
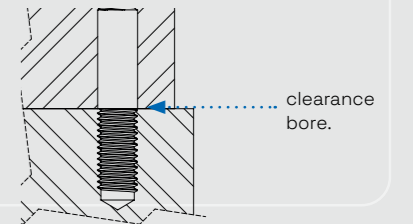
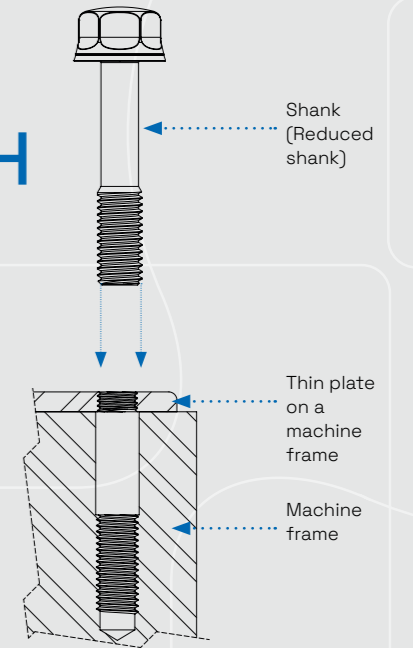
Case 3: Thick plate on a machine frame

An example of this case is the assembly of a thick plexiglass plate with a frame. It is necessary to provide both the thick plate and the frame or one of them, with a clearance bore.

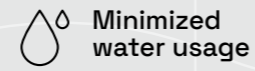
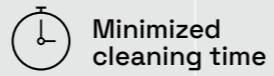


Case 4: Assembling of cover with a house

It can be used to assemble a cover with a house. In this case, the house is provided with a clearance bore. Both cover and house are provided with the threaded bore, which prevent the bolt from getting loose.



Certified hygienic carriage bolts - CBXH

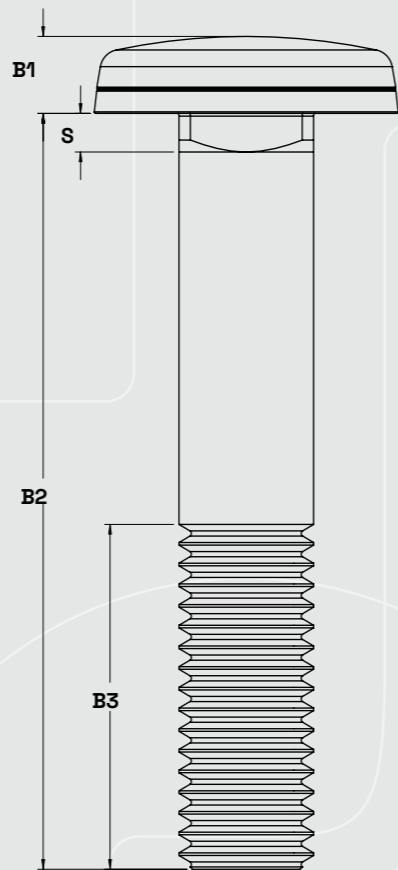
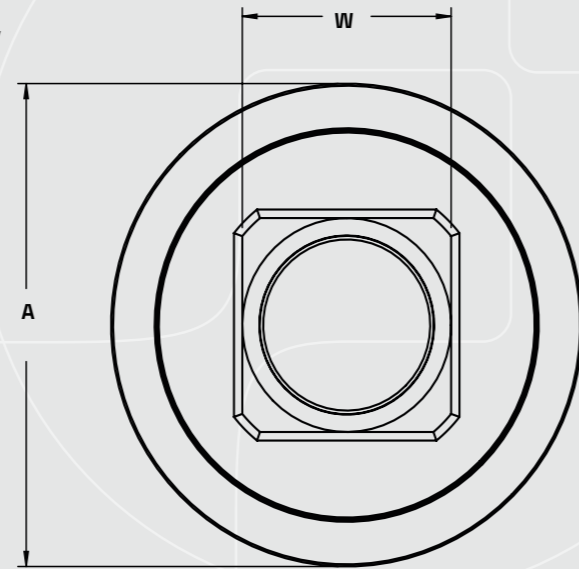


NGI is now able to offer hygienic carriage bolts with blue NBR seals. The NBR seal blocks out water and bacteria and also prevents a non-hygienic metal-to-metal assembly.

The bolts have self-draining surfaces with a maximal roughness of 0,8 µm Ra. The design of the bolts is compatible with DIN 603/ISO 8678. Thus, making it a direct replacement.

This is the right choice of bolt to be used on all machinery in all hygienic wash-down environments where space is at a premium.

- Minimizes cleaning time and water consumption
- DIN 603/ISO 8678 compatible
- Available in sizes M5-M20
- Surfaces with a maximal roughness of 0,8 µm Ra



Certified hygienic carriage bolts - CBXH



HYGIENIC CARRIAGE BOLTS - CBXH METRIC



Thread size	Tightening Torque max. [Nm]	Head height (B1) [mm]	Bolt length (B2) [mm]	Thread length (B3) [mm]	Square height (S) [mm]	Square width (W) [mm]	Outer diameter (A) [mm]	Square hole size max [mm]
M5	4,4	3,3	XX	XX	3	5	14,77	5,5
M6	8,6	3,88	XX	XX	3	6	17,33	6,5
M8	21	4,88	XX	XX	3	8	21,11	9,0
M10	38	5,38	XX	XX	3	10	23,47	11,5
M12	68	6,95	XX	XX	3	12	31,89	13,5
M16	122	8,95	XX	XX	3	16	39,99	18,0
M20	307	11,05	XX	XX	3	20	46,34	23,0

HYGIENIC CARRIAGE BOLTS - CBXH UNC

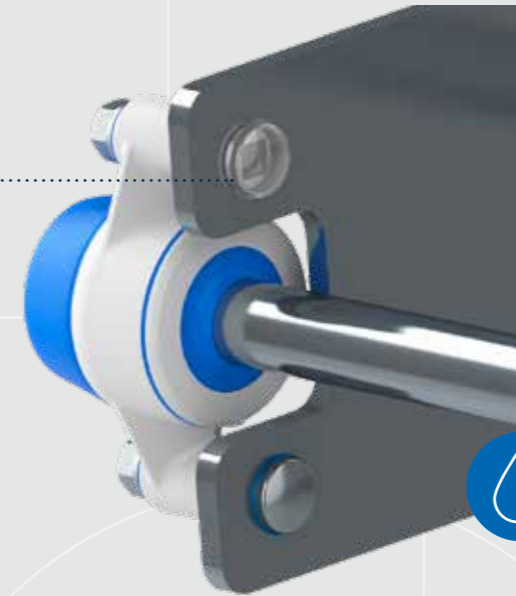
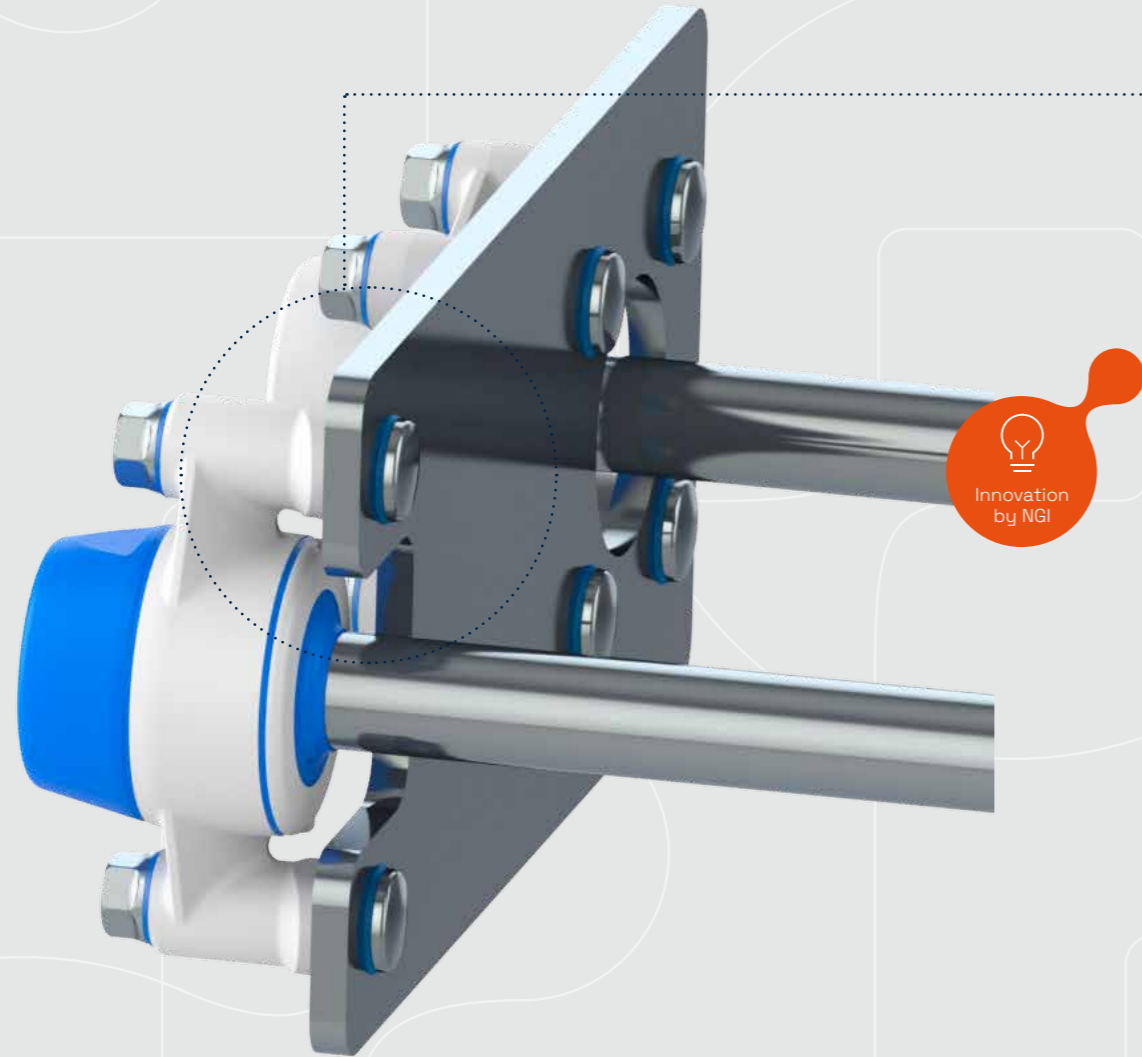
Thread size	Tightening Torque max. [Nm]	Head height (B1) [in]	Bolt length (B2) [in]	Thread length (B3) [in]	Square height (S) [in]	Square width (W) [in]	Outer diameter (A) [in]	Square hole size max [in]
1/4	8,2	0,14	XX	XX	0,12	0,25	0,58	0,28
5/16	17	0,18	XX	XX	0,12	0,31	0,68	0,33
3/8	30	0,21	XX	XX	0,12	0,38	0,83	0,41
7/16	47	0,24	XX	XX	0,12	0,44	1,02	0,47
1/2	71	0,27	XX	XX	0,12	0,50	1,06	0,55
5/8	139	0,34	XX	XX	0,12	0,63	1,33	0,69
3/4	245	0,41	XX	XX	0,12	0,75	1,57	0,85
7/8	389	0,47	XX	XX	0,12	0,88	1,82	0,98
1	572	0,53	XX	XX	0,12	1,00	2,08	1,14



xx) We have many lengths and variations in stock and are able to supply customized sizes within a short time of delivery, so contact our sales department to get a quote!

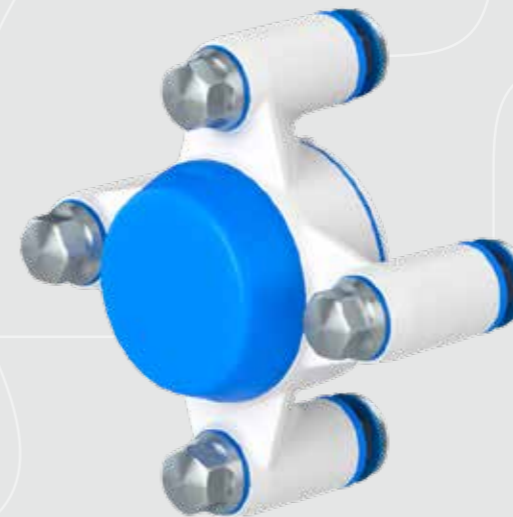
Certified hygienic Bearing houses with CBXH bolts

-  Certified hygienic
-  Minimized cleaning time
-  Minimized water usage



Self-draining surface

The CBXH bolt has self-draining surfaces with a maximal roughness of 0,8 µm Ra. The design of the bolts is compatible with DIN 603/ISO 8678. Thus, making it a direct replacement.



Blue NBR seals

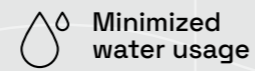
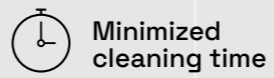
The hygienic CBXH carriage bolt has blue NBR seals. The NBR seal blocks out water and bacteria and also prevents a non-hygienic metal-to-metal assembly.



Narrow space installation

This is the right choice of bolt to be used on all machinery in all hygienic wash-down environments where space is at a premium.

Certified hygienic fit bolts - BFXH

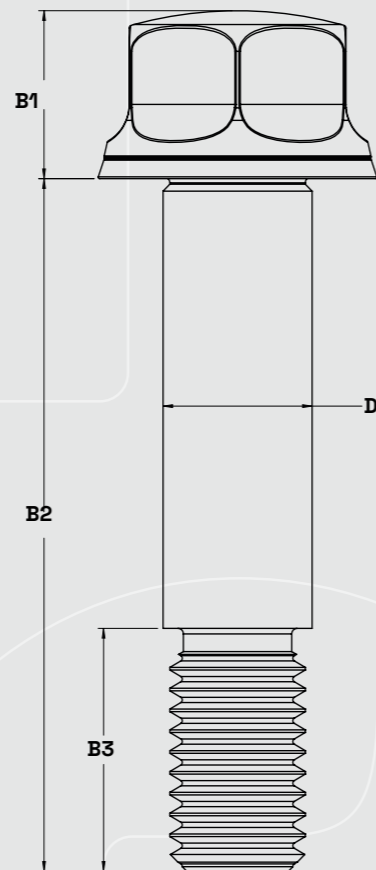
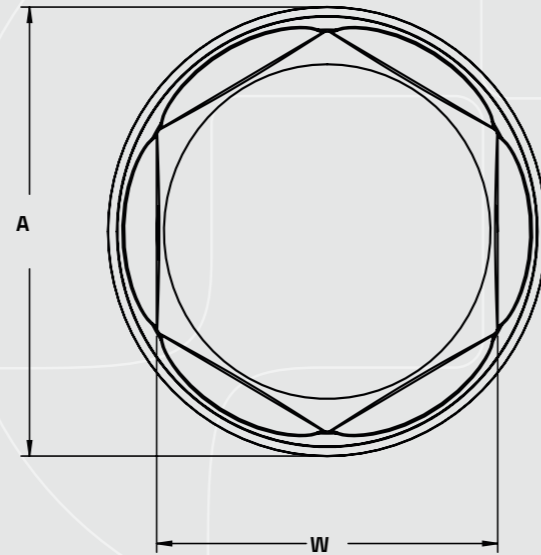


NGI is now able to offer hygienic fit bolts with blue NBR seals. The NBR seal blocks out water and bacteria and also prevents a non-hygienic metal-to-metal assembly.

The bolts have self-draining surfaces with a maximal roughness of 0,8 µm Ra. The design of the bolts is compatible with DIN 603/ISO 8678. Thus, making it a direct replacement.

This is the right choice of bolt to be used on all machinery in all hygienic wash-down environments where space is at a premium.

- Minimizes cleaning time and water consumption
- DIN 603/ISO 8678 compatible
- Available in sizes M5-M20
- Surfaces with a maximal roughness of 0,8 µm Ra



Certified hygienic fit bolts - BFXH



HYGIENIC FIT BOLTS - BFXH METRIC



Thread size	Tightening Torque max. [Nm]	Head height (B1) [mm]	Bolt length (B2) [mm]	Thread length B3 [mm]	Flat width (W) [mm]	Outer diameter (A) [mm]	Shank diameter (D) [mm]
M5	4,4	6,5	XX	XX	8	11,5	6
M6	8,6	8	XX	XX	10	12,8	7
M8	21	10	XX	XX	13	17,3	9
M10	38	12	XX	XX	16	21,1	11
M12	68	14	XX	XX	18	25,9	13
M16	122	17	XX	XX	24	31,9	17
M20	307	20	XX	XX	30	38,9	21
M24	507	22	XX	XX	36	46,1	25

HYGIENIC FIT BOLTS - BFXH UNC

Thread size	Tightening Torque max. [Nm]	Head height (B1) [in]	Bolt length (B2) [in]	Thread length B3 [in]	Flat width (W) [in]	Outer diameter (A) [in]	Shank diameter (D) [mm]
1/4	8,2	0,33	XX	XX	7/16	0,58	5/16
5/16	17	0,39	XX	XX	1/2	0,68	3/8
3/8	30	0,47	XX	XX	9/16	0,78	1/2
7/16	47	0,51	XX	XX	11/16	0,93	9/16
1/2	71	0,55	XX	XX	3/4	1,06	5/8
9/16	102	0,61	XX	XX	13/16	1,18	11/16
5/8	139	0,67	XX	XX	15/16	1,33	3/4
3/4	245	0,75	XX	XX	1 1/8	1,57	1
7/8	389	0,83	XX	XX	1 5/16	1,82	1 1/4
1	572	0,91	XX	XX	1 1/2	2,08	1 3/8



xx) We have many lengths and variations in stock and are able to supply customized sizes within a short time of delivery, so contact our sales department to get a quote!

Hygienic handles - UHX

- Certified hygienic
- Minimized cleaning time
- Minimized water usage

With our hygienic handles, we provide:

- Reduced cleaning time.
- Reduced chemical and water consumption.
- Enhanced food safety
- Plug & Play installation
- Hygienic handles made of AISI 316/A4, 1.4401
- Stainless steel and with blue NBR rubber sealings.
- Customer-specific sizes available with short delivery times



Hygienic handles - UHX

HYGIENIC HANDLES - UHX METRIC

Size (WxH)	Thread	Thickness (D)	Radius (R)
[mm]	(T)	[mm]	[mm]
125x50	M5	12	12
160x50	M5	12	12
160x60	M6	16	16
200x60	M6	16	16

HYGIENIC HANDLES - UHX UNC

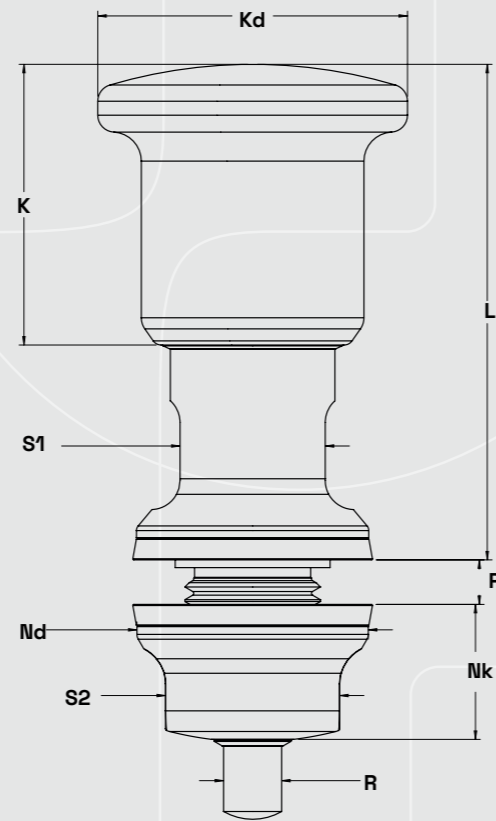
Size (WxH)	Thread	Thickness (D)	Radius (R)
[in]	(T)	[in]	[in]
5"x2"	Nr 12	0,55"	0,55"
6"x2"	Nr 12	0,55"	0,55"
6"x2,5"	1/4	0,63"	0,63"
8"x2,5"	1/4	0,63"	0,63"

Hygienic indexing plungers - IPXH

- Certified hygienic
- Minimized cleaning time
- Minimized water usage

With our hygienic Indexing Plungers, we provide:

- Reduced cleaning time.
- Reduced chemical and water consumption.
- Enhanced food safety
- Plug & Play installation
- Stainless steel and with blue NBR rubber sealings.
- Customer-specific sizes available with short delivery times

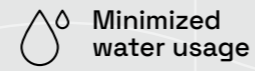
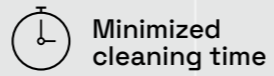


Hygienic indexing plungers - IPXH

HYGIENIC INDEXING PLUNGERS - IPXH

Index Size	L	K	Kd	S1	S2	Nk	Nd	R	P
6	51	29	32	15	18	15	24	6	1,5-4
8	51	29	32	15	18	15	24	6	1,5-4

Hygienic cable glands - HSK

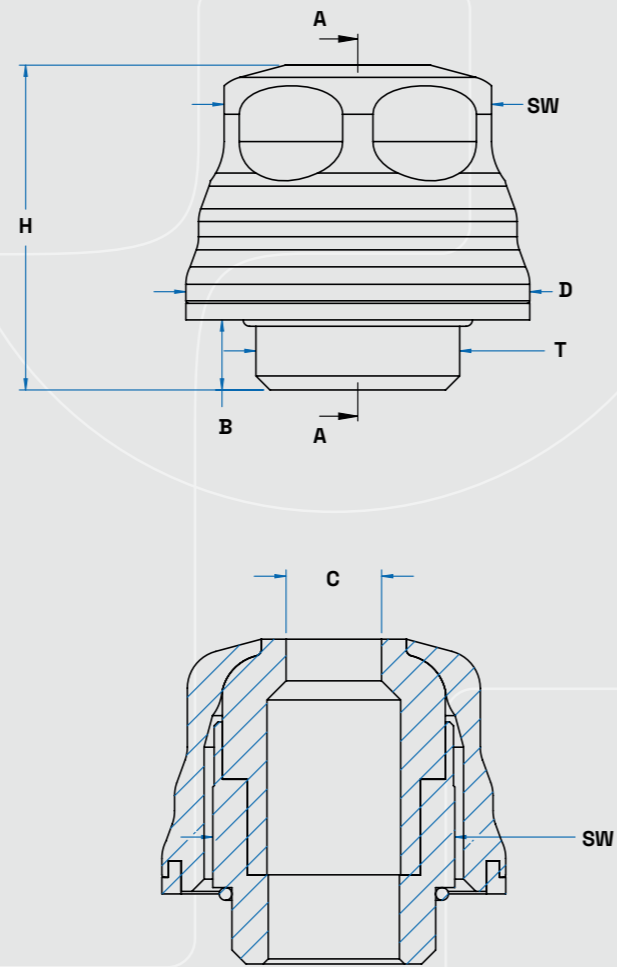
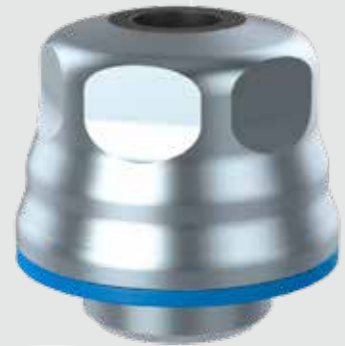


The HSK Hygienic cable gland is suitable for use in all areas in which the adherence of microorganisms and dirt must be prevented, for example in the pharmaceutical, food and chemical industries as well as in biotechnology and clean room technology.

Material: Stainless steel EN 1.4404 with sealing in WMQ (silicone).

Our cable glands are IP66, IP68, and IP69K-certified.

- Reduced cleaning time.
- Enhanced food safety
- Plug & Play installation
- Stainless steel and with blue silicone sealings.
- Available in sizes M12-M32

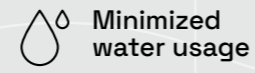
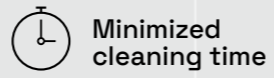


Hygienic cable glands - HSK

HYGIENIC CABLE GLANDS - HSK METRIC

Thread size	Tightening Torque [Nm]	Height (H) [mm]	Diameter (D) [mm]	Thread length B [mm]	Flat width (SW) [mm]	Cable diameter (C) [mm]	Art. no
M12x1.50	8	19	21	6	14/14	5.0 - 6.5	R950029
M16x1.50	15	20	27	6	19/21	7.5 - 10.5	R950983
M16x1.50	15	20	27	6	19/21	6.0 - 7.5	R950984
M20x1.50	30	23	33	6	24/27	11.0 - 13.5	R950985
M20x1.50	30	23	33	6	24/27	9.0 - 12.0	R950986
M25x1.50	35	24	38	7	30/30	15.0 - 18.0	R950987
M25x1.50	35	24	38	7	30/30	14.0 - 16.0	R950988
M32x1.50	40	27	45	8	36/36	21.0 - 25.0	R950989
M32x1.50	40	27	45	8	36/36	18.0 - 21.0	R950990

Hygienic latch - SLX

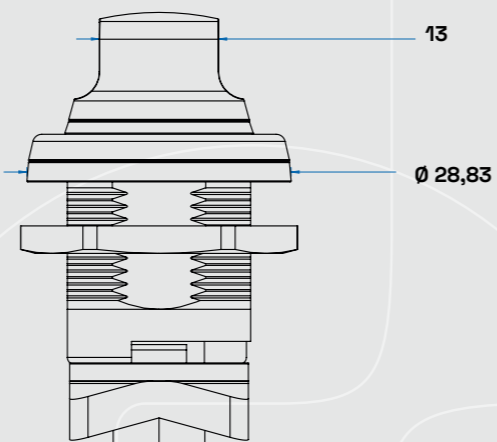
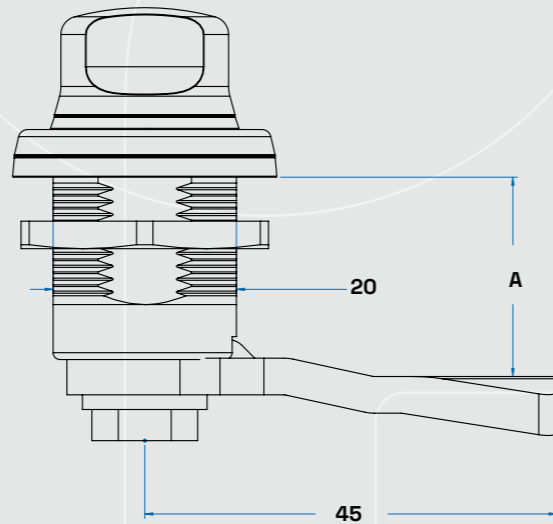
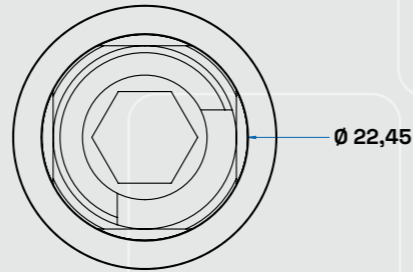
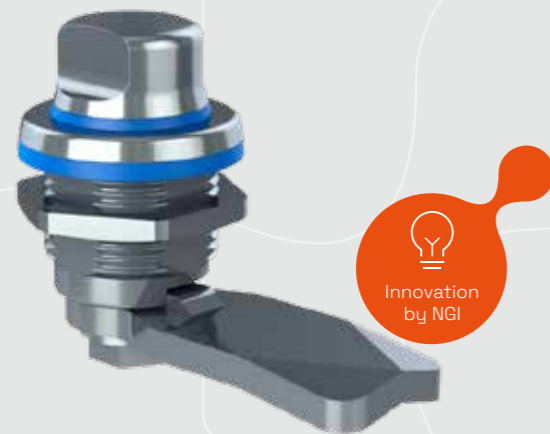


The hygienic stainless steel SLX latch prevents bacterial attack and fulfils the strict regulations of testing principles for foodstuff machinery and hygiene.

The self-draining stainless steel surfaces with a maximal roughness of 0,8 µm Ra and the central circumferential seal reliably prevent dirt accumulation. Water, cleaning agents etc. can drain off fully and so prevent contamination.

The latch creates a secure closure by rotating a maximum of 90°, which positions the latch in the locked position behind the frame. Material: Stainless steel AISI 316 with sealing in blue NBR.

- IP65, IP67, IP69-approved
- Reduced cleaning time.
- Enhanced food safety
- Plug & Play installation
- Stainless steel and with blue NBR sealings.
- Available in many sizes



Hygienic latch - SLX

HYGIENIC LATCH - SLX METRIC

Diameter hole size [mm]	Latch arm distance A [mm]
22,50	4
22,50	6
22,50	8
22,50	10
22,50	12
22,50	14
22,50	16
22,50	18
22,50	20
22,50	22
22,50	24
22,50	26
22,50	28
22,50	30
22,50	32
22,50	34
22,50	36
22,50	38
22,50	40
22,50	42
22,50	44
22,50	46
22,50	48
22,50	50

Hygienic round knobs - XK

- Certified hygienic
- Minimized cleaning time
- Minimized water usage

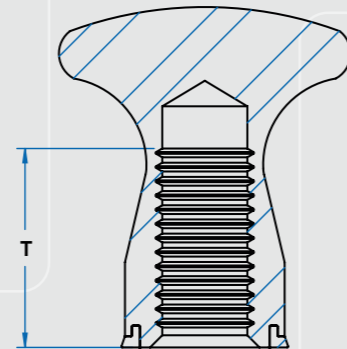
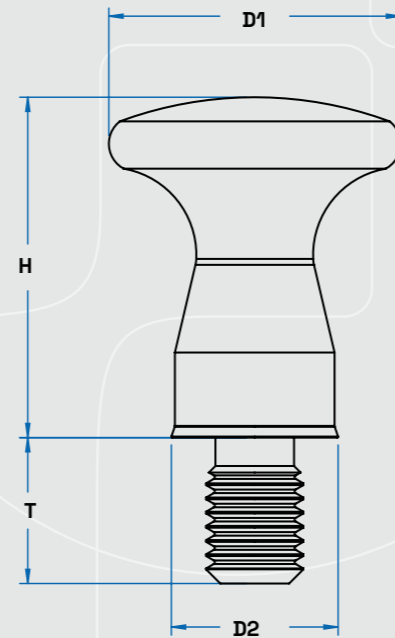
NGI is now able to offer hygienic round knobs with threaded pin or internal thread.

The knobs will be available with blue NBR seals. The NBR rubber seal blocks out water and bacteria and also prevents a non-hygienic metal-to-metal assembly.

The knobs are made of AISI 316/A4, 1.4401 stainless steel.

The knobs have self-draining surfaces with a maximal roughness of 0,8 µm Ra. This is the right choice of knob to be used on all machinery in all hygienic wash-down environments.

- Minimizes cleaning time and water consumption
- Available in sizes M5-M12
- Surfaces with a maximal roughness of 0.8 µm Ra



Hygienic round knobs - XK

HYGIENIC ROUND KNOB - XK METRIC

INTERNAL	Knob size (D1) [mm]	Thread size	Thread length (T)	Sealing diameter (D2) [mm]	Knob height (H)
	17	M5	7	11,48	19
	20	M6	9	12,77	24
	25	M6	9	14,77	29
	32	M8	12	19,9	37
	36	M10	15	21,11	42

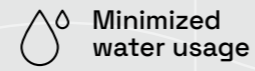
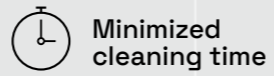
EXTERNAL	Knob size (D1) [mm]	Thread size	Thread length (T)	Sealing diameter (D2) [mm]	Knob height (H)
	17	M6	XX	11,48	19
	20	M8	XX	12,77	24
	25	M8	XX	14,77	29
	32	M10	XX	19,9	37
	36	M12	XX	21,11	42

HYGIENIC ROUND KNOB - XK UNC

INTERNAL	Knob size (D1) [mm]	Thread size	Thread length (T)	Sealing diameter (D2) [mm]	Knob height (H)
	17	#12-24	7	11,48	19
	20	UNC 1/4-20	9	12,77	24
	25	UNC 1/4-20	9	14,77	29
	32	UNC 5/16-18	12	19,9	37
	36	UNC 3/8-16	15	21,11	42

EXTERNAL	Knob size (D1) [mm]	Thread size	Thread length (T)	Sealing diameter (D2) [mm]	Knob height (H)
	17	UNC 1/4-20	XX	11,48	19
	20	UNC 5/16-18	XX	12,77	24
	25	UNC 5/16-18	XX	14,77	29
	32	UNC 3/8-16	XX	19,9	37
	36	UNC 7/16-14, UNC 1/2-13	XX	21,11	42

Hygienic star knobs - XK3W



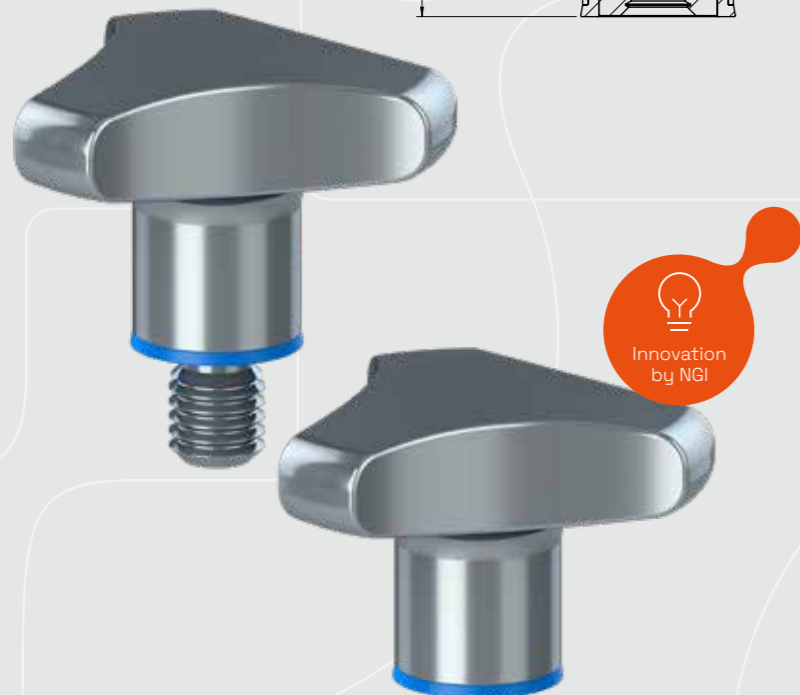
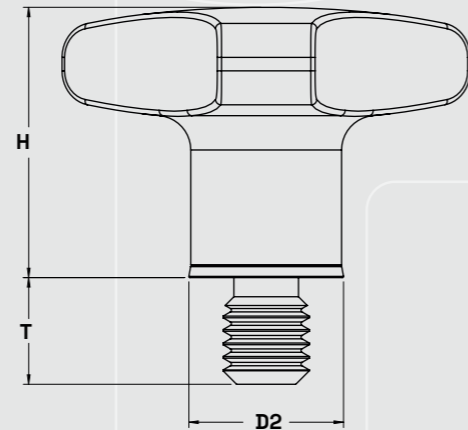
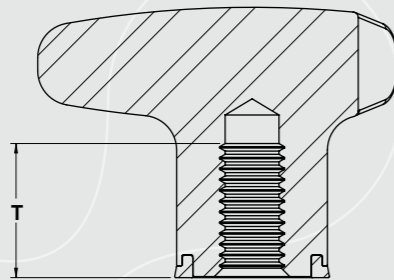
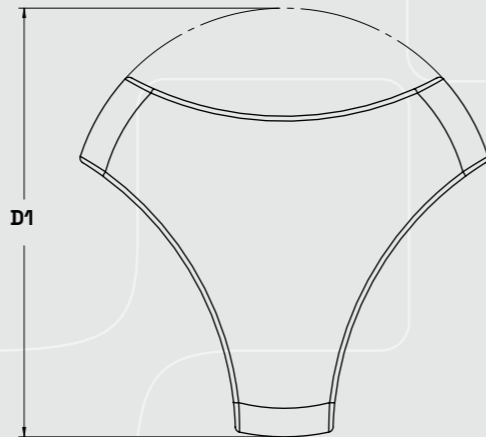
NGI is now able to offer hygienic star knobs with threaded pin or internal thread.

The knobs will be available with blue NBR seals. The NBR rubber seal blocks out water and bacteria and also prevents a non-hygienic metal-to-metal assembly.

The knobs are made of AISI 316/A4, 1.4401 stainless steel.

The knobs have self-draining surfaces with a maximal roughness of 0,8 µm Ra. This is the right choice of knob to be used on all machinery in all hygienic wash-down environments.

- Minimizes cleaning time and water consumption
- Available in sizes M5-M12
- Surfaces with a maximal roughness of 0.8 µm Ra



Hygienic star knobs - XK3W

HYGIENIC STAR KNOB - XK3W METRIC

INTERNAL	Knob size (D1) [mm]	Thread size	Thread length (T)	Knob diameter (D1)	Sealing diameter (D2) [mm]	Knob height (H)
	32	M6	12	31,8	12,77	21
	40	M6, M8	16	39,8	14,77	25
	50	M8, M10, M12	20	49,8	19,9	32

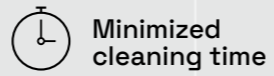
EXTERNAL	Knob size (D1) [mm]	Thread size	Thread length (T)	Knob diameter (D1)	Sealing diameter (D2) [mm]	Knob height (H)
	32	M6	XX	31,8	12,77	21
	40	M8	XX	39,8	14,77	25
	50	M10, M12	XX	49,8	19,9	32

HYGIENIC STAR KNOB - XK3W UNC

INTERNAL	Knob size (D1) [mm]	Thread size	Thread length (T)	Knob diameter (D1)	Sealing diameter (D2) [mm]	Knob height (H)
	32	UNC 1/4-20	12	31,8	12,77	21
	40	UNC 1/4-20, UNC 5/16-18	16	39,8	14,77	25
	50	UNC 5/16-18, UNC 3/8-16, UNC 7/16-14	20	49,8	19,9	32

EXTERNAL	Knob size (D1) [mm]	Thread size	Thread length (T)	Knob diameter (D1)	Sealing diameter (D2) [mm]	Knob height (H)
	32	UNC 1/4-20	XX	31,8	12,77	21
	40	UNC 5/16-18	XX	39,8	14,77	25
	50	UNC 3/8-16, UNC 7/16-14	XX	49,8	19,9	32

Hygienic star knobs - XKG



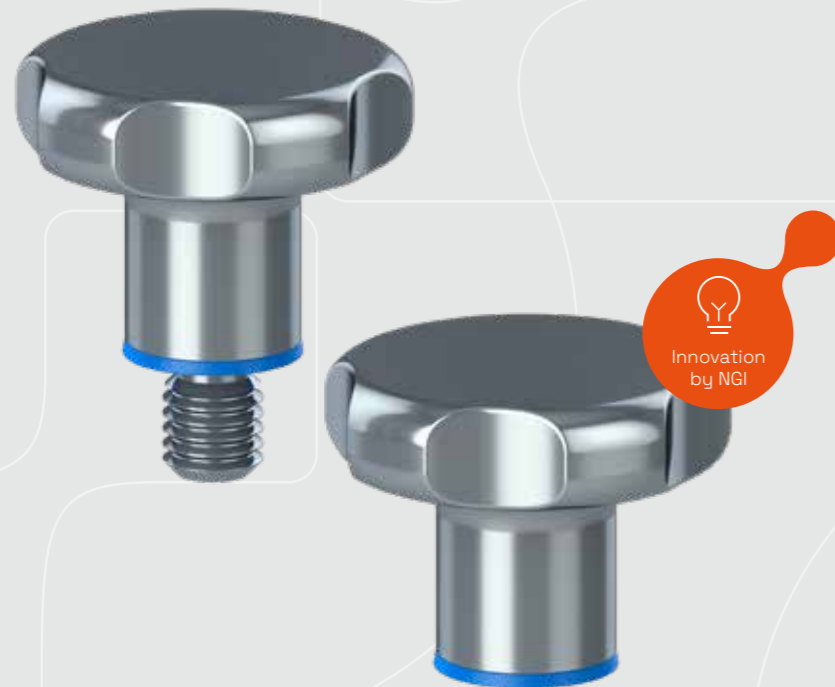
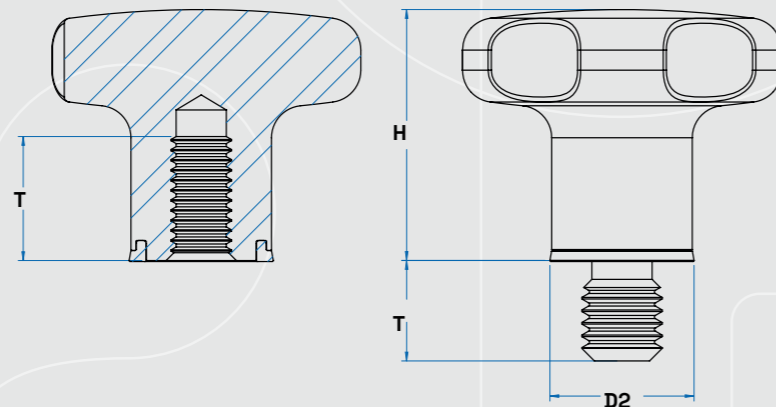
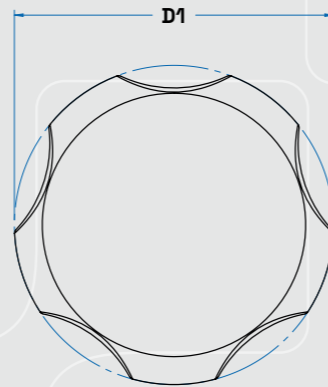
NGI is now able to offer hygienic star knobs with threaded pin or internal thread.

The knobs will be available with blue NBR seals. The NBR rubber seal blocks out water and bacteria and also prevents a non-hygienic metal-to-metal assembly.

The knobs are made of AISI 316/A4, 1.4401 stainless steel.

The knobs have self-draining surfaces with a maximal roughness of 0,8 µm Ra. This is the right choice of knob to be used on all machinery in all hygienic wash-down environments.

- Minimizes cleaning time and water consumption
- Available in sizes M5-M12
- Surfaces with a maximal roughness of 0.8 µm Ra



Hygienic star knobs - XKG

HYGIENIC STAR KNOB - XKG METRIC

INTERNAL	Knob size (D1) [mm]	Thread size	Thread length (T)	Knob diameter (D1)	Sealing diameter (D2) [mm]	Knob height (H)
	32	M6	12	31,8	12,77	21
	40	M6, M8	16	39,8	14,77	25
	50	M8, M10, M12	20	49,8	19,9	32

EXTERNAL	Knob size (D1) [mm]	Thread size	Thread length (T)	Knob diameter (D1)	Sealing diameter (D2) [mm]	Knob height (H)
	32	M6	XX	31,8	12,77	21
	40	M8	XX	39,8	14,77	25
	50	M10, M12	XX	49,8	19,9	32

HYGIENIC STAR KNOB - XKG UNC

INTERNAL	Knob size (D1) [mm]	Thread size	Thread length (T)	Knob diameter (D1)	Sealing diameter (D2) [mm]	Knob height (H)
	32	UNC 1/4-20	12	31,8	12,77	21
	40	UNC 1/4-20, UNC 5/16-18	16	39,8	14,77	25
	50	UNC 5/16-18, UNC 3/8-16, UNC 7/16-14	20	49,8	19,9	32

EXTERNAL	Knob size (D1) [mm]	Thread size	Thread length (T)	Knob diameter (D1)	Sealing diameter (D2) [mm]	Knob height (H)
	32	UNC 1/4-20	XX	31,8	12,77	21
	40	UNC 5/16-18	XX	39,8	14,77	25
	50	UNC 3/8-16, UNC 7/16-14	XX	49,8	19,9	32

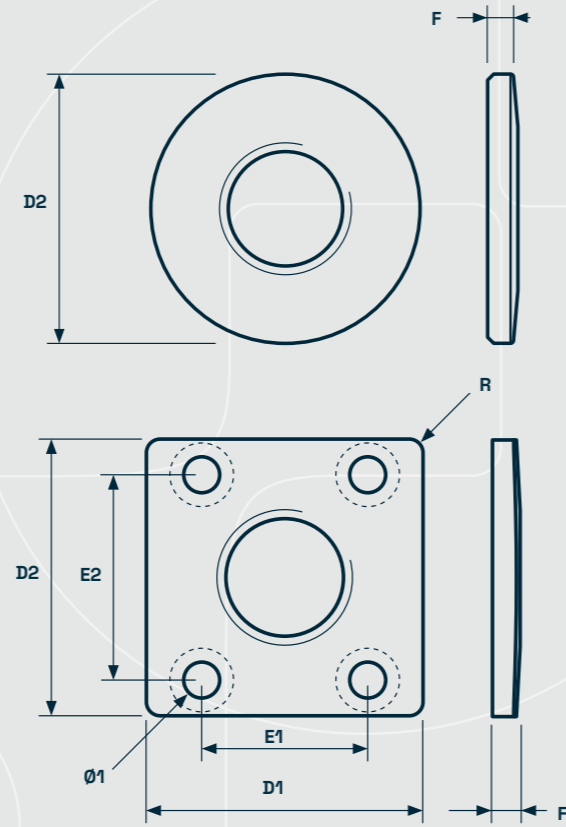
Certified hygienic flanges - WFRX + WFSX

The flange is used when mounting the XHFV levelling feet into the machine or equipment.

Machinery and equipment requires different mounting and therefore the flange is available in several variations.

- Stainless steel AISI 304/A2, 1.4301
- Squared welding plates
- Round welding plates
- All dimensions available
- Large variety of sizes
- Install by bolting or welding

Customized sizes and shapes can be supplied by request.



Certified hygienic flanges - WFRX + WFSX

ROUND - WELDING



CERTIFIED	DIAMETER \emptyset [mm]	THICKNESS F [mm]	THREAD	ITEM CODE
YES	60,3	10	M44x2,0	WFRX060
YES	70,0	10	M44x2,0	WFRX070
YES	76,2	10	M44x2,0	WFRX076
YES	88,9	10	M44x2,0	WFRX089

SQUARED - BOLTING

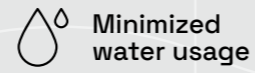
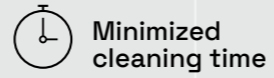
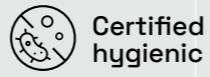


CERTIFIED	LENGHT D1 [mm]	WIDTH D2 [mm]	THICKNESS F [mm]	DISTANCE E1 [mm]	DISTANCE E2 [mm]	RADIUS R [mm]	HOLE $\emptyset1$ [mm]	THREAD	ITEM CODE
YES	100	100	10	74,2	60,0	5	13	M44x2,0	WFSX10010746013
YES	100	100	10	74,2	74,2	5	9	M44x2,0	WFSX10010747409



Maximum nominal load for shown flanges 95.500 N
Squared hygienic flanges must be installed with certified washers and bolts.
Flat flanges are not 3-A-certified.

Hygienic spacer - SRXH

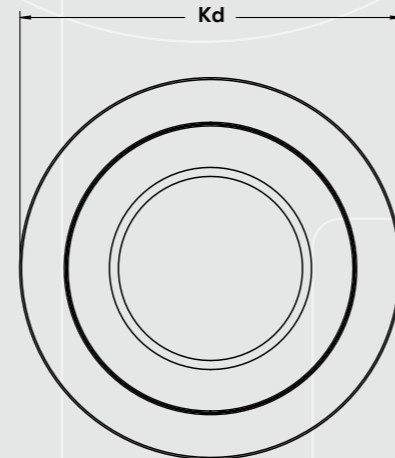
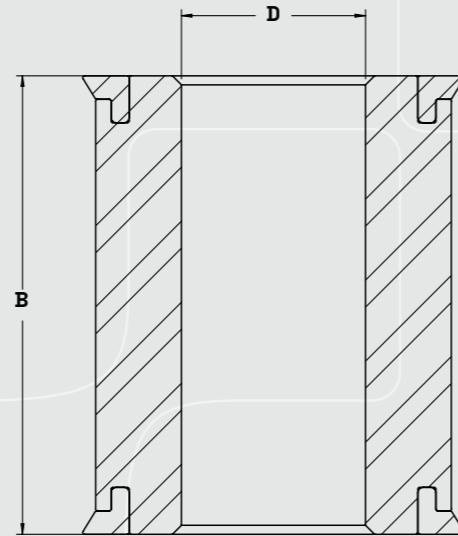


We can offer hygienic spacers with blue NBR rubber seals. The NBR rubber seal blocks out water and bacteria and prevents a non-hygienic metal-to-metal assembly.

A high focus on hygienic design ensures that the equipment can be cleaned behind and around all components.

With our hygienic spacers, we provide:

- Reduced cleaning time.
- Reduced chemical and water consumption.
- Enhanced food safety
- Plug & Play installation
- Stainless steel and with blue NBR rubber sealings.
- Customer-specific sizes available with short delivery times



Hygienic spacer - SRXH

HYGIENIC SPACER - SRXH METRIC

Clearance diameter (D) [mm]	Outer diameter (Kd) [mm]	Length (B) [mm]
5,2	11,5	XX
6,2	12,8	XX
8,2	17,3	XX
10,2	21,1	XX
12,2	25,9	XX
16,2	31,9	XX
20,2	38,9	XX
24,2	46,1	XX

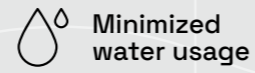
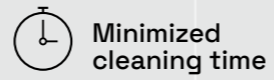
HYGIENIC SPACER - SRXH UNC

Clearance diameter (D) [in]	Outer diameter (Kd) [in]	Length (B) [in]
0,26	0,58	XX
0,32	0,68	XX
0,39	0,78	XX
0,45	0,93	XX
0,52	1,06	XX
0,58	1,18	XX
0,64	1,33	XX
0,76	1,57	XX
0,89	1,82	XX
1,02	2,08	XX



xx) We have many lengths and variations in stock and are able to supply customized sizes within a short time of delivery, so contact our sales department to get a quote!

Hygienic spacer - SRTXH

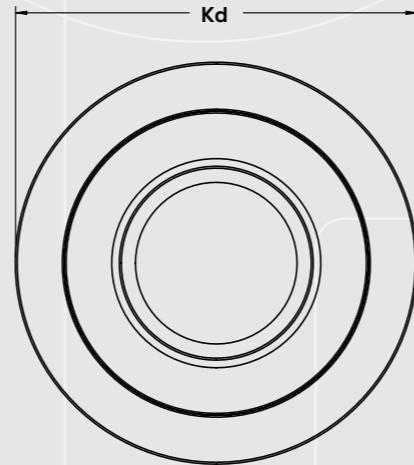
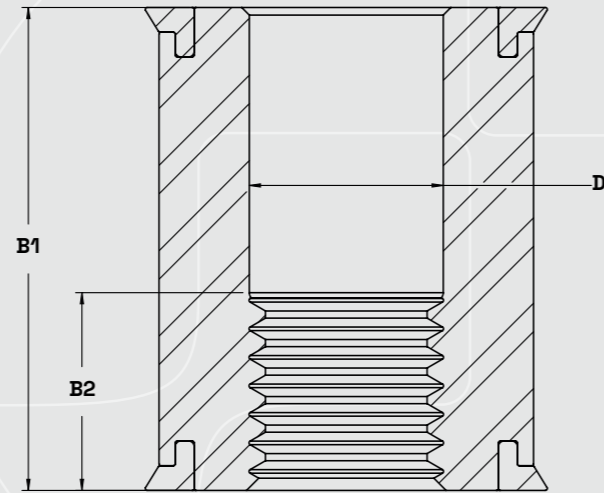


We can offer hygienic spacers with blue NBR rubber seals. The NBR rubber seal blocks out water and bacteria and prevents a non-hygienic metal-to-metal assembly.

A high focus on hygienic design ensures that the equipment can be cleaned behind and around all components.

With our hygienic spacers, we provide:

- Reduced cleaning time.
- Reduced chemical and water consumption.
- Enhanced food safety
- Plug & Play installation
- Stainless steel and with blue NBR rubber sealings.
- Customer-specific sizes available with short delivery times



Hygienic spacer - SRTXH

HYGIENIC SPACER - SRTXH METRIC

Thread size	Clearance diameter (D) [mm]	Outer diameter (Kd) [mm]	Length (B) [mm]	Thread length (B2) [mm]
M5	5,2	11,5	XX	XX
M6	6,2	12,8	XX	XX
M8	8,2	17,3	XX	XX
M10	10,2	21,1	XX	XX
M12	12,2	25,9	XX	XX
M16	16,2	31,9	XX	XX
M20	20,2	38,9	XX	XX
M24	24,2	46,1	XX	XX

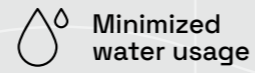
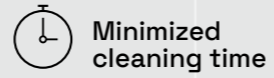
HYGIENIC SPACER - SRTXH UNC

Thread size	Clearance diameter (D) [in]	Outer diameter (Kd) [in]	Length (B) [in]	Thread length (B2) [in]
1/4	0,26	0,58	XX	XX
5/16	0,32	0,68	XX	XX
3/8	0,39	0,78	XX	XX
7/16	0,45	0,93	XX	XX
1/2	0,52	1,06	XX	XX
9/16	0,58	1,18	XX	XX
5/8	0,64	1,33	XX	XX
3/4	0,76	1,57	XX	XX
7/8	0,89	1,82	XX	XX
1	1,02	2,08	XX	XX



xx) We have many lengths and variations in stock and are able to supply customized sizes within a short time of delivery, so contact our sales department to get a quote!

Hygienic spacer - SRTFXH

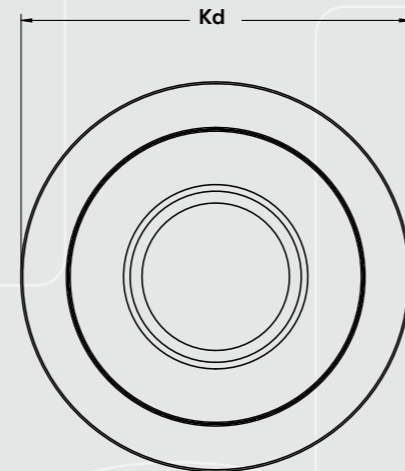
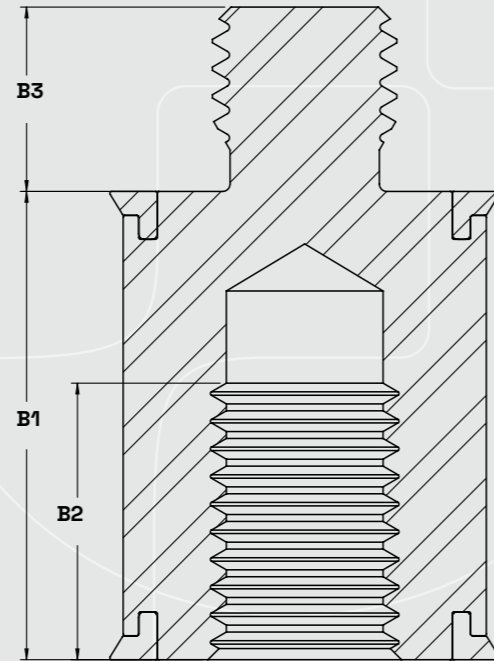
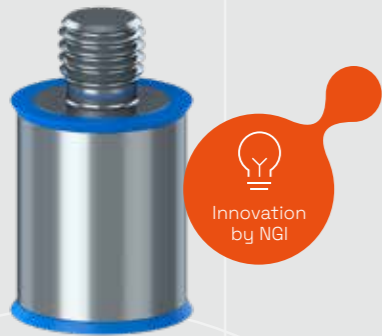


We can offer hygienic spacers with blue NBR rubber seals. The NBR rubber seal blocks out water and bacteria and prevents a non-hygienic metal-to-metal assembly.

A high focus on hygienic design ensures that the equipment can be cleaned behind and around all components.

With our hygienic spacers, we provide:

- Reduced cleaning time.
- Reduced chemical and water consumption.
- Enhanced food safety
- Plug & Play installation
- Stainless steel and with blue NBR rubber sealings.
- Customer-specific sizes available with short delivery times



Hygienic spacer - SRTFXH

HYGIENIC SPACER - SRTFXH METRIC

Thread size internal	Thread size external	Outer diameter (Kd) [mm]	Length (B) [mm]	Thread length internal (B2) [mm]	Thread length external (B3) [mm]
M5	M5	11,5	XX	XX	XX
M6	M6	12,8	XX	XX	XX
M8	M8	17,3	XX	XX	XX
M10	M10	21,1	XX	XX	XX
M12	M12	25,9	XX	XX	XX
M16	M16	31,9	XX	XX	XX
M20	M20	38,9	XX	XX	XX
M24	M24	46,1	XX	XX	XX

HYGIENIC SPACER - SRTFXH UNC

Thread size internal	Thread size external	Outer diameter (Kd) [in]	Length (B) [in]	Thread length internal (B2) [in]	Thread length external (B3) [in]
1/4	1/4	0,58	XX	XX	XX
5/16	5/16	0,68	XX	XX	XX
3/8	3/8	0,78	XX	XX	XX
7/16	7/16	0,93	XX	XX	XX
1/2	1/2	1,06	XX	XX	XX
9/16	9/16	1,18	XX	XX	XX
5/8	5/8	1,33	XX	XX	XX
3/4	3/4	1,57	XX	XX	XX
7/8	7/8	1,82	XX	XX	XX
1	1	2,08	XX	XX	XX



xx) We have many lengths and variations in stock and are able to supply customized sizes within a short time of delivery, so contact our sales department to get a quote!

Hygienic spacers

-  Certified hygienic
-  Minimized cleaning time
-  Minimized water usage



Easy cleaning from all angles



A high focus on hygienic design ensures that the equipment can be cleaned behind and around all components. All transitions and connections between materials are hygienically sealed with blue sealings.

Hygienic spacers



NGI offers hygienic spacers to increase the distance to machines and equipment to over an inch as recommended by USDA.

Installation



The installation is easy and a plug & play solution and you will be able to use your usual procedure.

Certified hygienic spacers for bearing houses

-  Certified hygienic
-  Minimized cleaning time
-  Minimized water usage

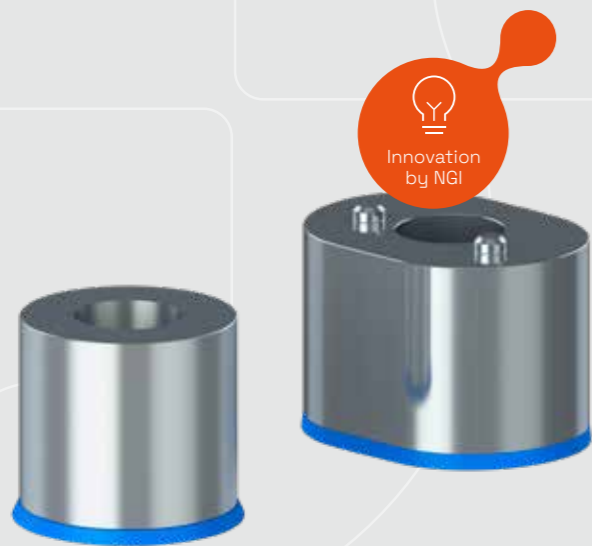
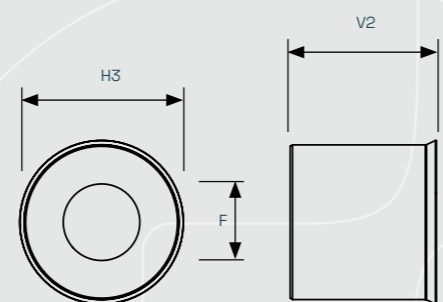
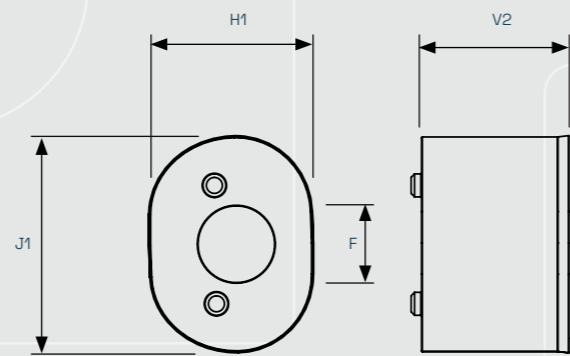
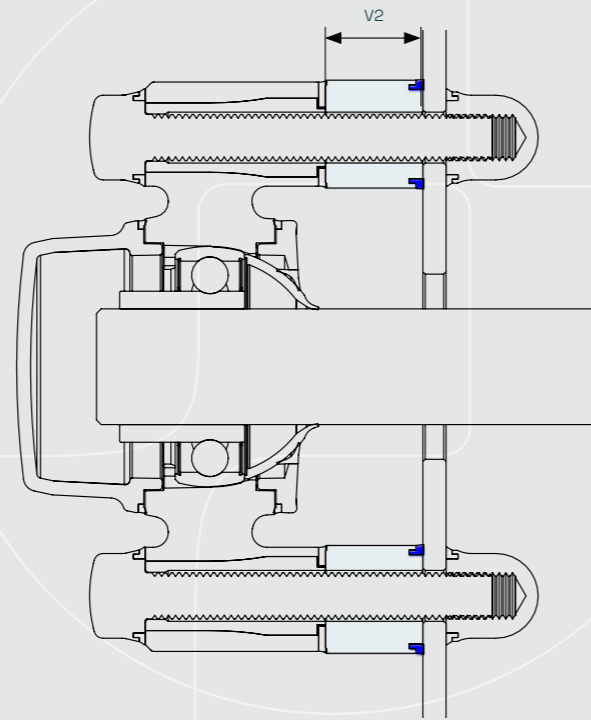
NGI can offer certified hygienic spacers with blue NBR rubber seals. The NBR rubber seal blocks out water and bacteria and prevents a non-hygienic metal-to-metal assembly.

A high focus on hygienic design ensures that the bearing house can be cleaned behind and around the shaft and furthermore, NGI offers hygienic spacers to increase the distance to machines and equipments to over an inch as recommended by USDA.

NGI bearing houses are USDA certified.

When USDA laws are to be followed use the hygienic spacers from NGI to secure the approved distance to the support surface. For hygienic components from NGI which are already 3-A RPSCQC approved, USDA has mostly been about protection against visible threads and 1" spacers for bearing housings.

To attach NGI hygienic bearing houses to the support surface always use NGI certified hygienic bolts or nuts to secure the overall hygienic design.



Certified hygienic spacers for bearing houses

Oval Spacer

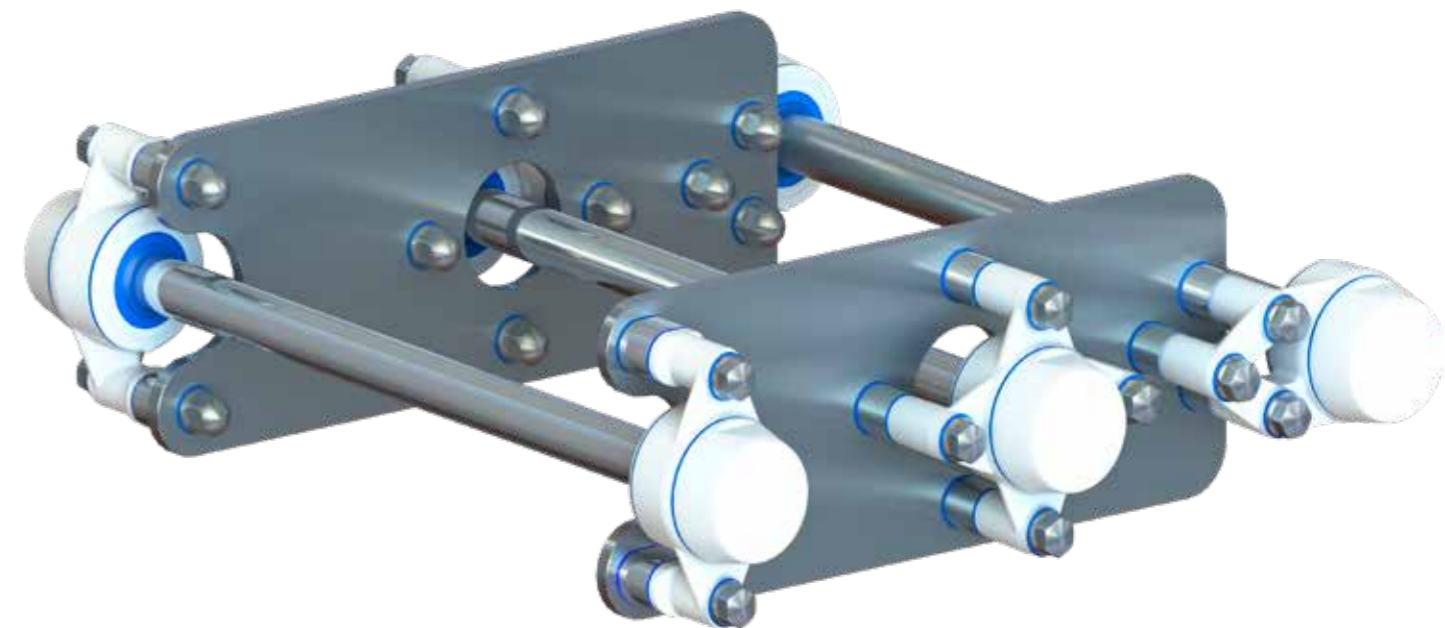


Bearing house size	A [mm]	V2 [mm]	F [mm]	H1 [mm]	J1 [mm]	Item code
47	47	19	13	23,2	30,8	8000200
52	52	19	11	23,5	31,2	HF95462
62	62	19	11	27,5	37,2	HF95463
72	72	19	15	28,4	48,8	HF95696
80	80	19	15	30,4	52,8	HF95705

Round Spacer

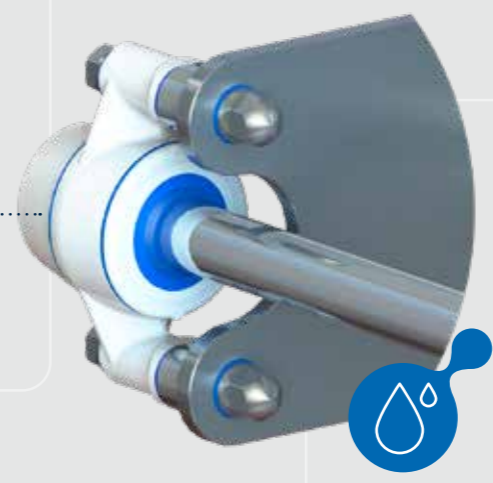
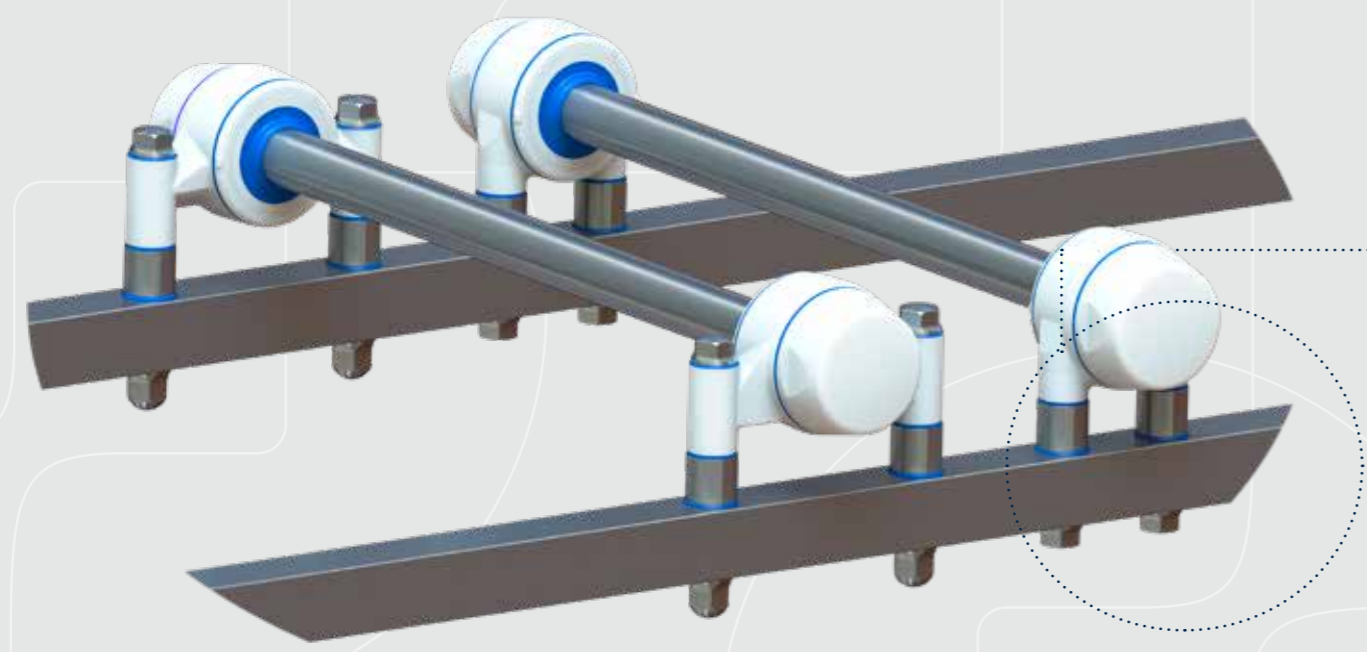
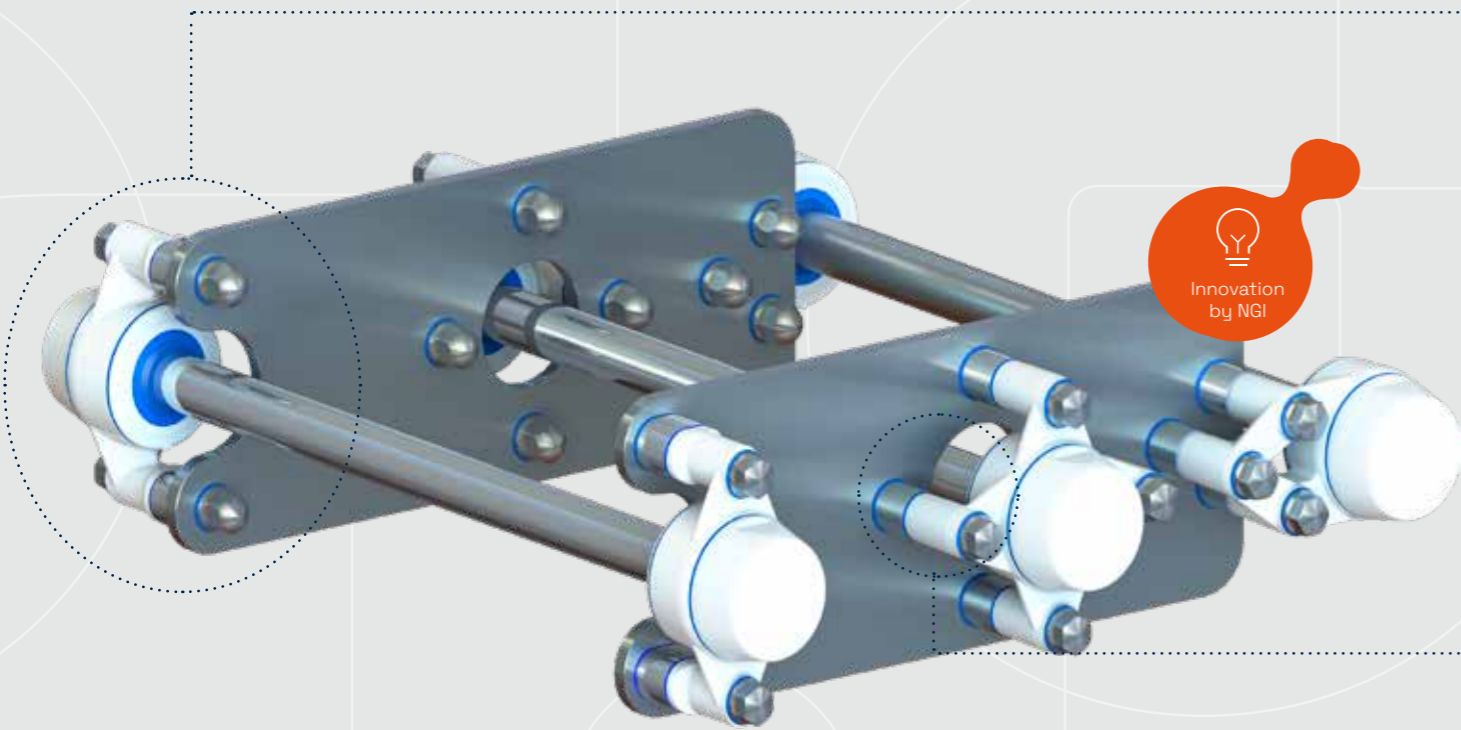


Bearing house size	A [mm]	V2 [mm]	F [mm]	H3 [mm]	Item code
47	47	22	12	22	HF95464
52	52	22	12	22	HF95464
62	62	22,5	12	26	HF95461
72	72	22	15	28,5	HF95697
80	80	22	15	30	HF95702



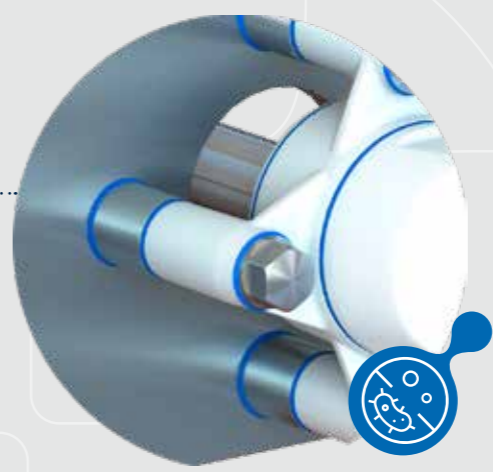
Certified hygienic Bearing houses with spacers

-  Certified hygienic
-  Minimized cleaning time
-  Minimized water usage



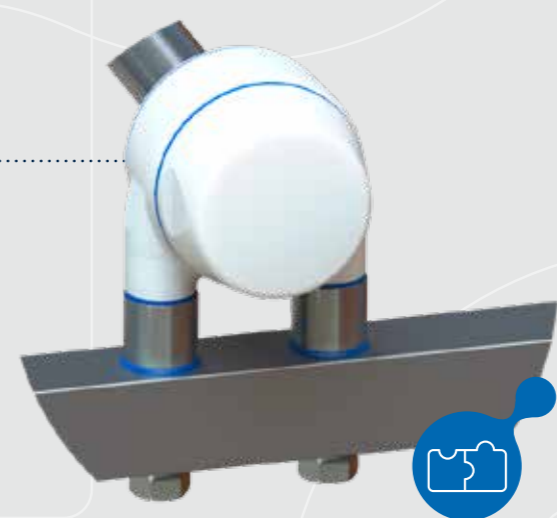
Easy cleaning from all angles

NGI has created a bearing house that is extremely easy to clean from all angles as water can easily reach all surfaces. All transitions and connections between materials are hygienically sealed with blue sealings.



Hygienic spacers

A high focus on hygienic design ensures that the bearing house can be cleaned behind and around the shaft and furthermore, NGI offers hygienic spacers to increase the distance to machines and equipment to over an inch as recommended by USDA.



Installation

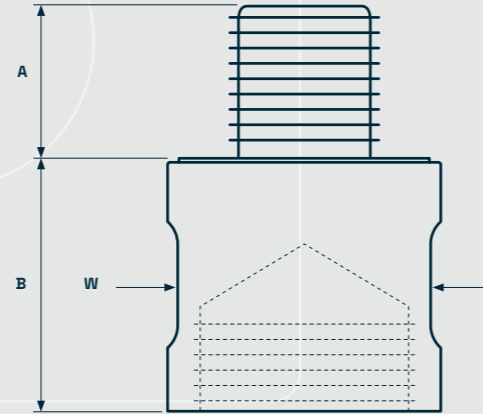
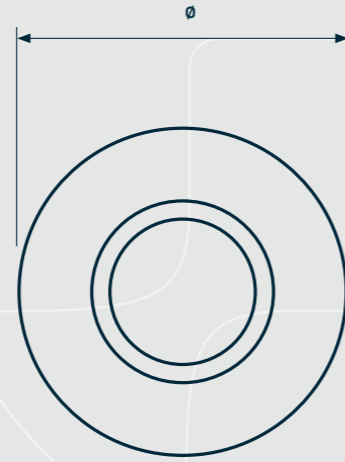
Installation is easy and you will be able to use your usual procedure, however, as the bearing can be turned inside the house and covers are replaceable, the bearing house from NGI is far more flexible and can be mounted in more ways than traditional bearing houses.

Hygienic adaptor - AX

-  Certified hygienic
-  Minimized cleaning time
-  Minimized water usage

The thread adaptor is an add-on for the XHFV & ZHFVJ system. It converts the size and type of the thread and extends the sleeve. Furthermore, it is equipped with blue sealings detectable by scanning systems.

Available in customized sizes.



Hygienic adaptor - AX

ADAPTOR METRIC



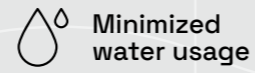
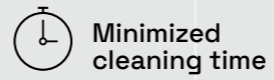
THREAD	W [mm]	DIAMETER ∅ [mm]	HEIGHT A [mm]	HEIGHT B [mm]	ITEM CODE
M20	50	54,5	20	50	AX2050
M24	50	54,5	24	50	AX2450
M30	50	54,5	30	50	AX3050
M36	50	54,5	36	50	AX3650
M42	50	54,5	42	50	AX4250
M44x2	50	54,5	10	50	AX4450

ADAPTOR UNC

THREAD [UNC]	W [in]	DIAMETER ∅ [in]	HEIGHT A [in]	HEIGHT B [in]	ITEM CODE
3/4-10	1.97	2.15	0.79	1.97	AX3420
1-8	1.97	2.15	0.94	1.97	AX1020
1 1/4-7	1.97	2.15	1.18	1.97	AX5420
1 1/2-6	1.97	2.15	1.42	1.97	AX3220
1 3/4-5	1.97	2.15	1.65	1.97	AX7420



Certified hygienic top cover - THOX

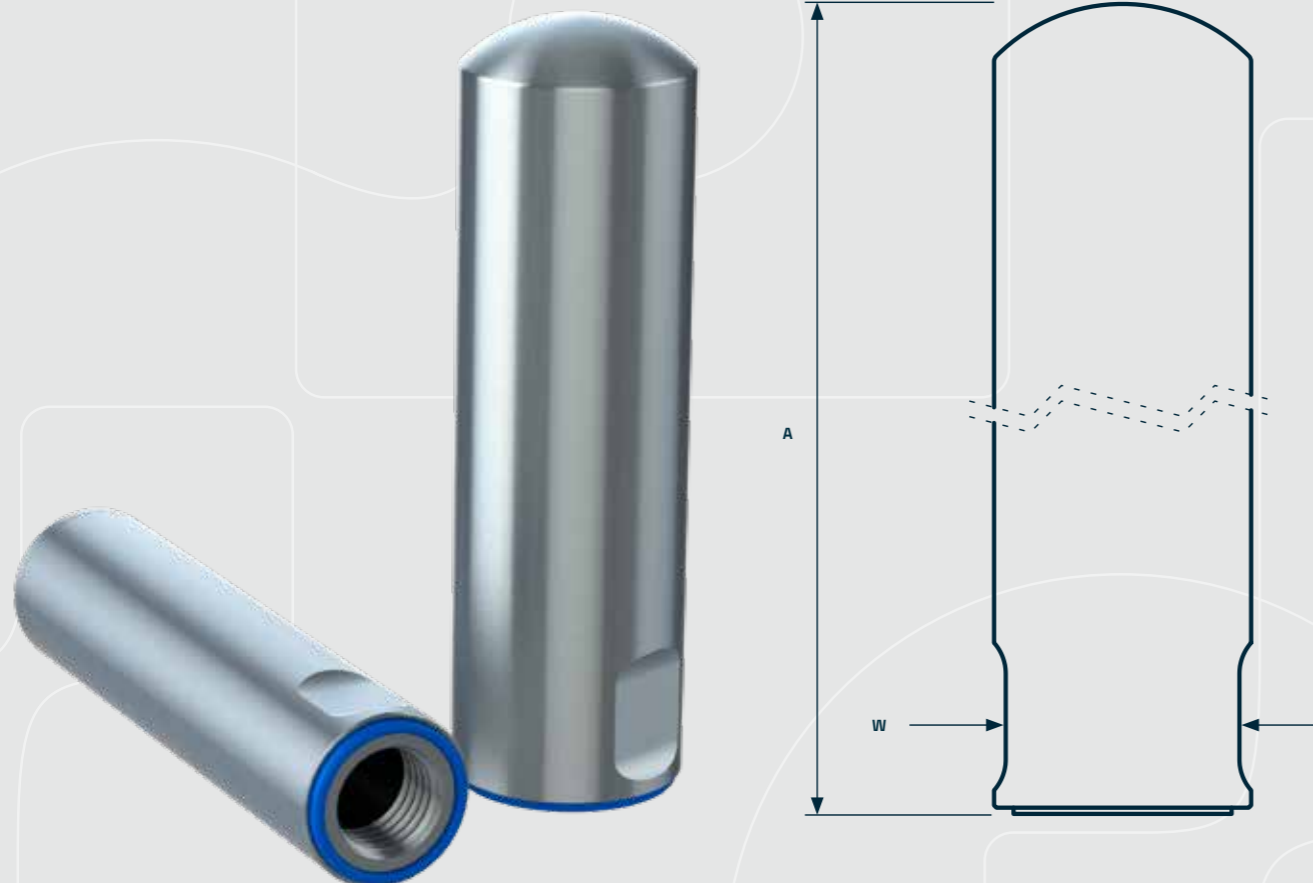
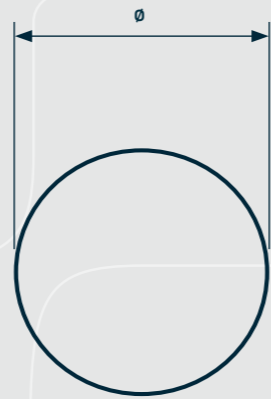


The top cover is designed to be used in situations where the top of the thread is exposed, which compromises the hygienic performance and certification of the levelling foot.

By applying the top cover the exposed thread is hygienically covered. The top cover can also function as counter nut.

The top cover is supplied with a blue sealing detectable by scanning systems and minimum cleaning effort is obtained due to the self-draining design.

Available in standardized and customized dimensions.



Certified hygienic top cover - THOX



THOX
METRIC



THREAD	W [mm]	DIAMETER Ø [mm]	HEIGHT A [mm]	ITEM CODE
M16	22	24,8	108	THOX16100
M20	27	29,7	109	THOX20100
M24	30	33	110	THOX24100
M30	36	39,5	111	THOX30100
M36	46	49,5	113	THOX36100
M42	52	55,5	114	THOX42100
M56	66	69,5	117	THOX56100

THOX
UNC

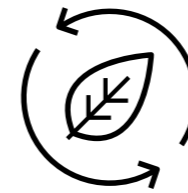
THREAD	W [in]	DIAMETER Ø [in]	HEIGHT A [in]	ITEM CODE
5/8-11	7/8	0.98	3.94	THOX5839
3/4-10	1	1.17	3.94	THOX3439
1-8	5/4	1.36	3.94	THOX1039
1 1/4-7	1 1/2	1.56	3.94	THOX5439



Product Innovation

Innovating for tomorrow
Investing in research & development

NGI Innovation - the Sustainable Way



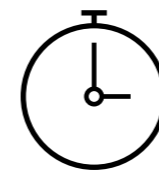
Stainless steel - Recyclable materials

80% of our products can be recycled. We are working on initiatives to make this percentage even higher.



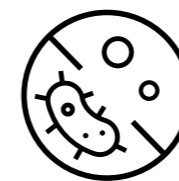
Hygienic seals - Resource saving

Permit easy cleaning and reduce water consumption.



High Quality - Longer lifetime

Our products are very high quality which means they have a longer lifetime than corresponding components.



Hygienic design - Protecting consumers

We make sure that the components do not constitute a hygiene risk through innovative and uncompromising design.

Maximum **12-HOURS RESPONSE TIME** to customer enquiries
QUICK ORDER CONFIRMATION (within 24 hours)
 Incoming orders packed and **SHIPPED THE SAME DAY**

World-wide delivery **1-6 DAYS**
 Optional **EXPRESS DELIVERY** (next day)
TRACK & TRACE on all shipments

WHY NGI?

1-4 DAYS
DELIVERY IN
SCANDINAVIA

4-6 DAYS
DELIVERY IN REST
OF WORLD

NO MINIMUM ORDER QUANTITIES
 No levelling **PROJECT IS IMPOSSIBLE** for NGI

NGI offers **ALL TYPES OF HIGH-QUALITY LEVELLING FEET** at competitive prices
 NGI is the **ONLY MANUFACTURER IN THE WORLD** of certified hygienic levelling feet
 Country-specific key account consultants with **LOCAL LANGUAGE SKILLS**

